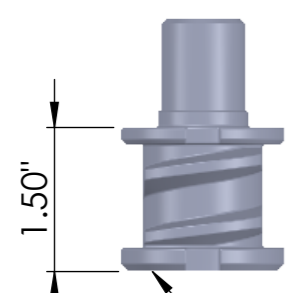
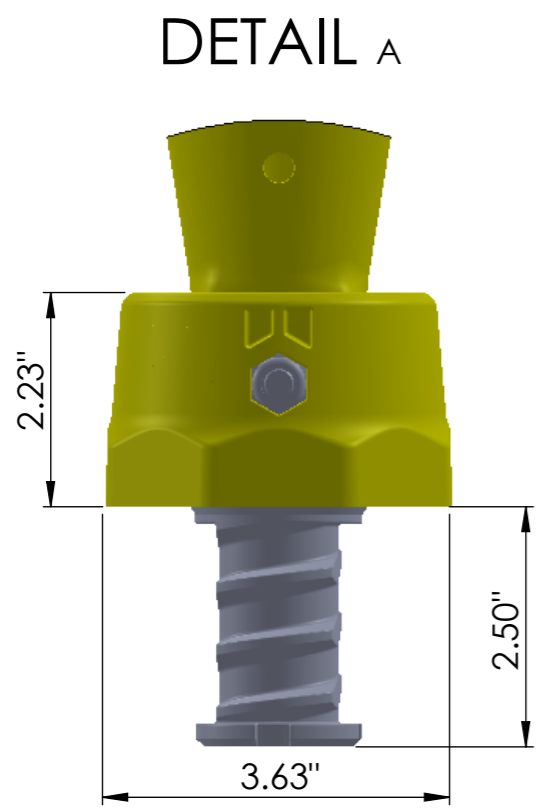
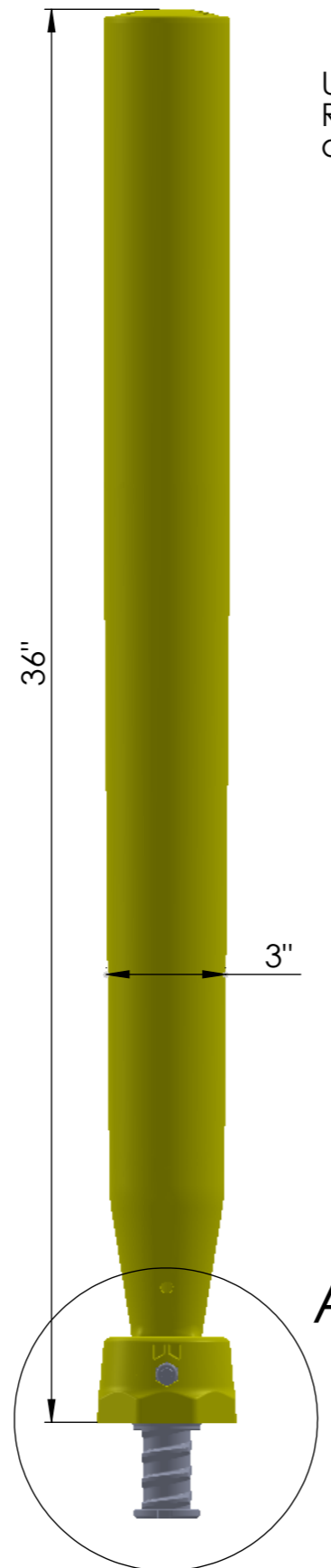


8 7 6 5 4 3 2 1

F
E
D
C
B
A



Optional Extensions:
For deeper foundations, multiple extensions can be added in increments of 1.5" lengths.



Up to 144 sq. in.
Reflective Sheeting
options available.



Part Numbers	Color
FCY36Y3U3	Yellow

Sheeting Colors:	
(W)	White
(Y)	Yellow
(O)	Orange
(R)	Red
(G)	Green
(B)	Blue

Sheeting Type:	
	Type III/IV High Intensity
	Type V AR1000
	Type XI Diamond Grade

Sheeting Size:	
(2x)	3" x 12" Wraps
(2x)	4" x 12" Wraps
(1x)	6" x 12" Wrap
(1x)	10" x 12" Wrap
(1x)	12" x 12" Wrap



SHUR-TITE® PRODUCTS
(512) 218-9500
www.shur-tite.com

Title: **SHUR-TITE PRODUCTS
YELLOW FLUSH MOUNT & U-FLEX**

Date: **9/17/21** Item #: **FCY36Y3U3**

8 7 6 5 4 3 2 1