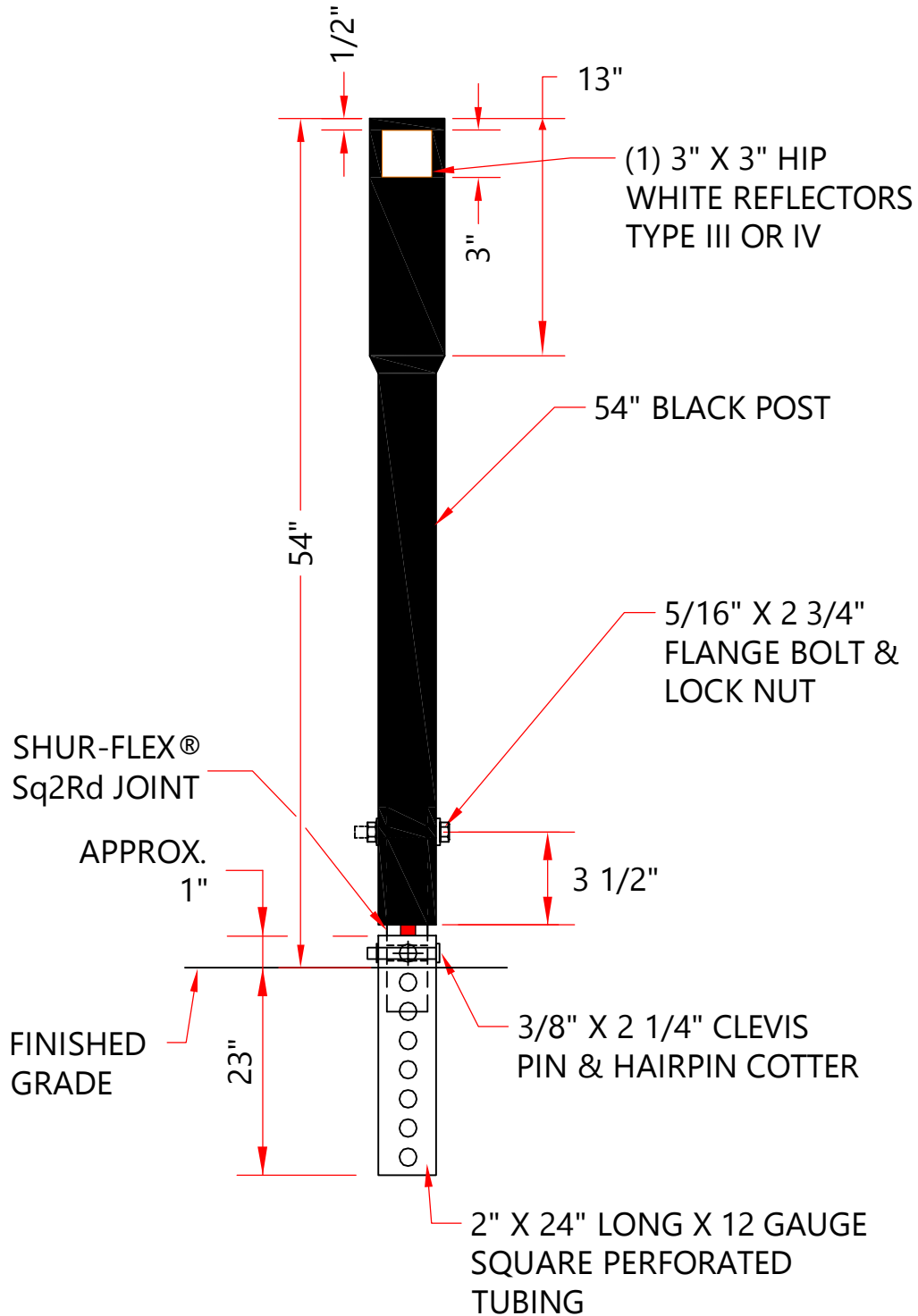


WYOMING DOT (TY I)(WHITE) RAMPS & APPROACHES SHUR-FLEX® DRIVEABLE 54" DELINEATOR DETAIL #DC54BR2



SHUR-TITE\WYOMING\DC54BR2.TY.1 WHITE AMBER.082420.dwg, 8/24/2020 10:14:24 AM

**SHUR-TITE®
PRODUCTS**

TYPE: WYOMING DOT (TY I)(WHITE)
RAMPS & APPROACHES
SHUR-FLEX® DRIVEABLE
54" DELINEATOR DETAIL

| | |
|--------------------|--------------------|
| DRAWN BY: CSC | ITEM #: DC54BR2 |
| CHECKED BY: DWH | DATE: 08/24/20 |
| | SHEET: 1 OF 1 |