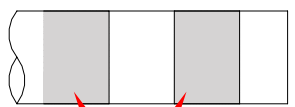
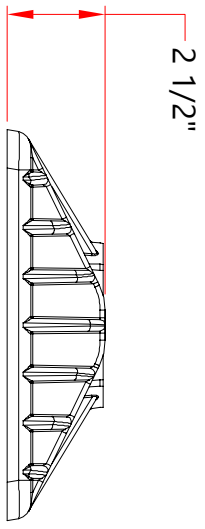
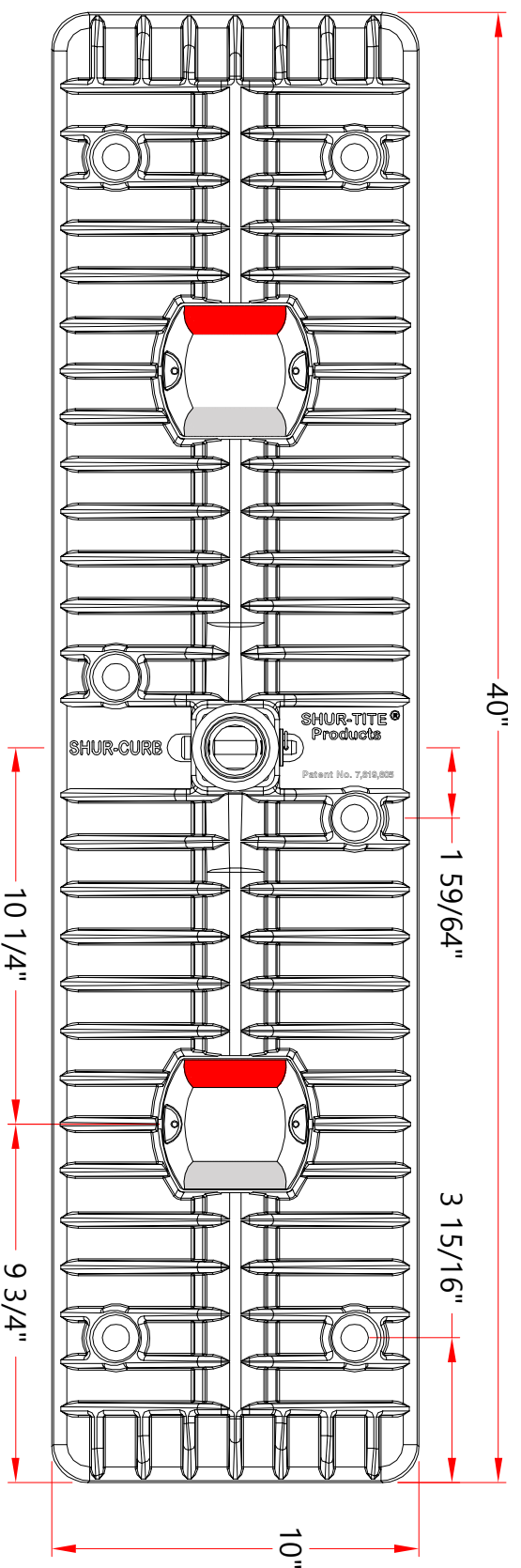


PATENT NO. 7,819,605

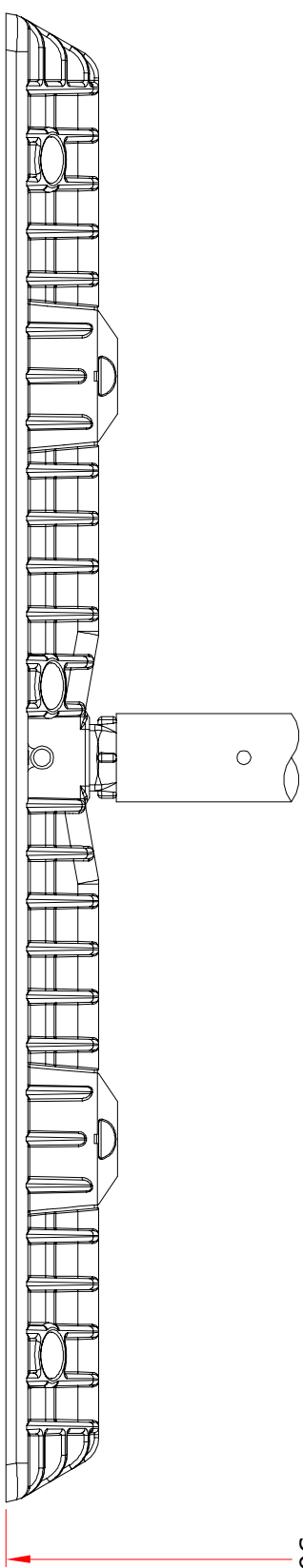
SHUR-TITE®  
PRODUCTS  
P. O. BOX 2283  
ROUND ROCK, TEXAS 78680  
(512) 218-9500

SHUR-CURB® WHITE  
TRAFFIC CHANNELLIZER

DRWING BY:	CSC	DATE:	09/10/20
CHECKED BY:	DWH	SHEET:	1 OF 2
ITR#:	CW36WP3		



2 EA. 3" WIDE WHITE HIP  
REFLECTIVE WRAPS



SHUR-TITE®  
PRODUCTS  
P. O. BOX 2283  
ROUND ROCK, TEXAS 78680  
(512) 218-9500

TYPE

SHUR-CURB® WHITE  
TRAFFIC CHANNELLIZER

DRAWN BY: CSC  
CHECKED BY: DW/H

TITLE: CCW36WP3  
DATE: 09/10/20

SHEET: 2 OF 2

UNDERSIDE VIEW  
OF SHUR-CURB®

