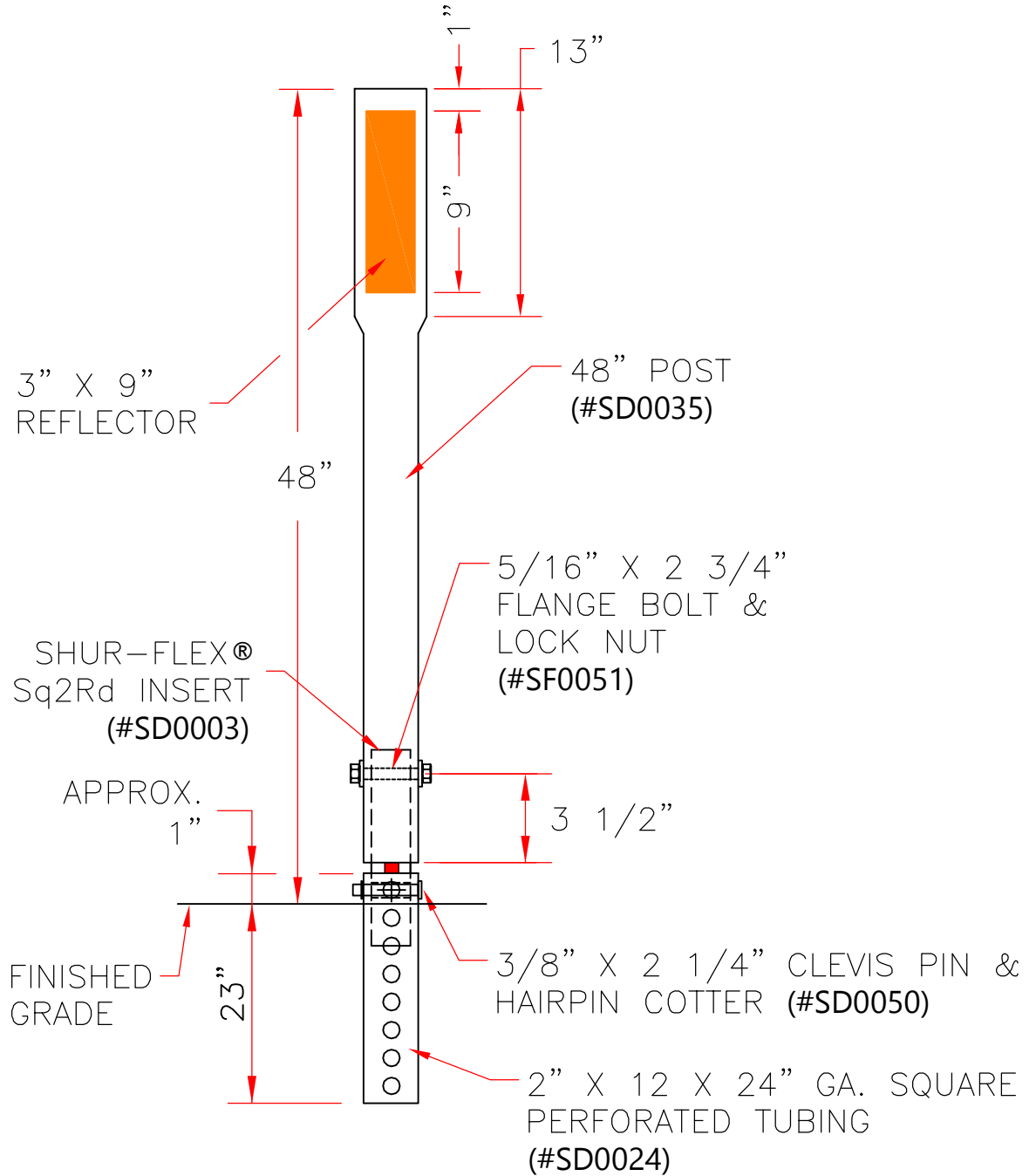


SHUR-FLEX[®] DRIVEABLE DELINEATOR DETAIL (#SD0031)



PAT# 7,722,286

**SHUR-TITE[®]
PRODUCTS**

SHUR-TITE/SD0031 012513.dwg, 6/16/2015 11:11:33 AM, PDF Complete

PO BOX 2283
ROUND ROCK, TEXAS 78680

(512) 218-9500

TYPE:

SHUR-FLEX[®] DRIVEABLE
DELINEATOR DETAIL

DRAWN BY: PH	ITEM #: SD0031
CHECKED BY: DWH	DATE: 06/16/15
SHEET: 1 OF 1	