

TYPE:

DRAWN BY:
PH

PH

ITEM #:
SF0020

SF0020

CHECKED BY:
DWH

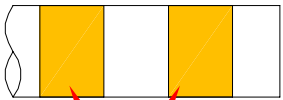
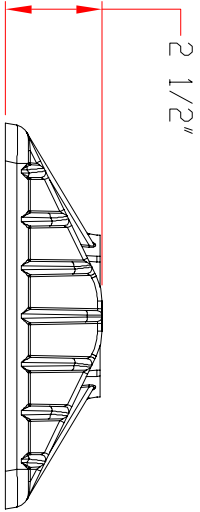
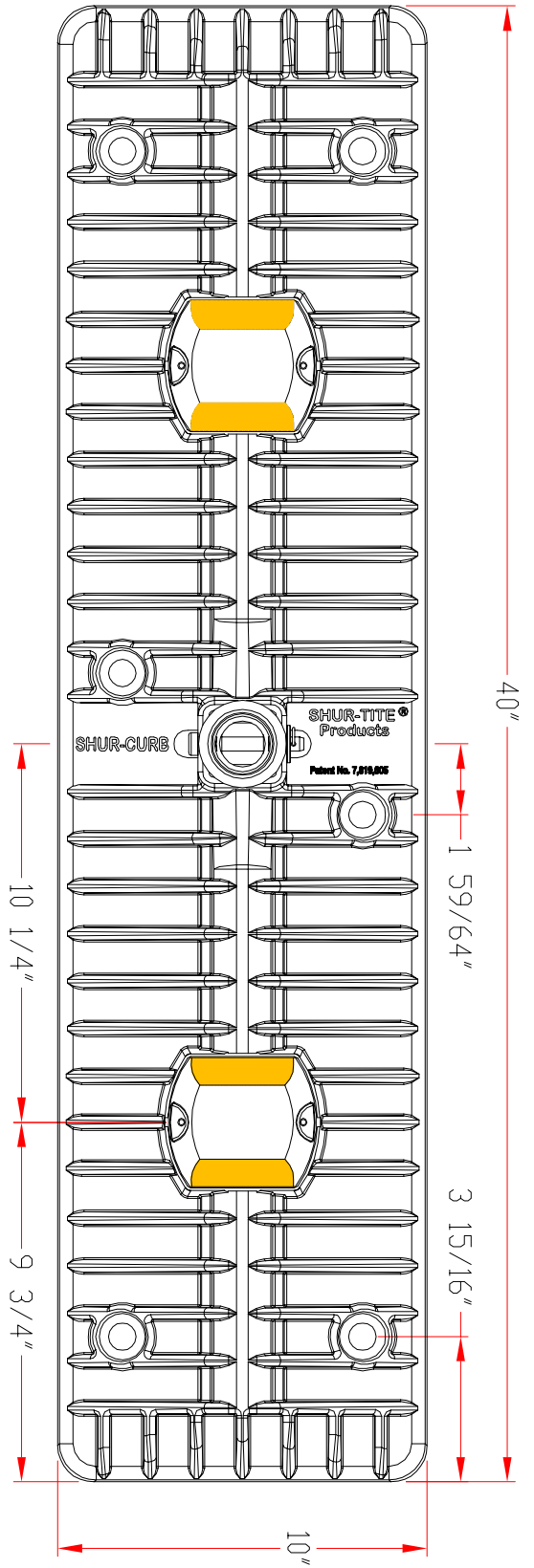
DWH

DATE:
10/04/12

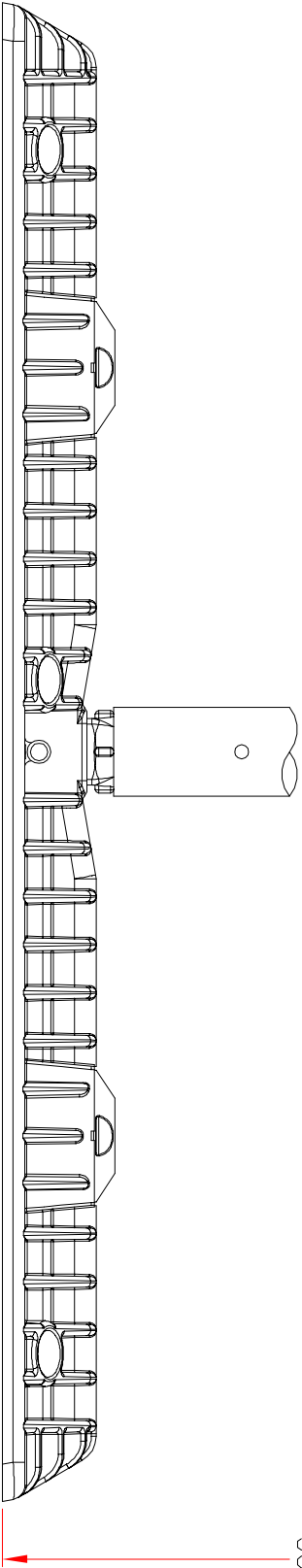
10/04/12

SHEET:

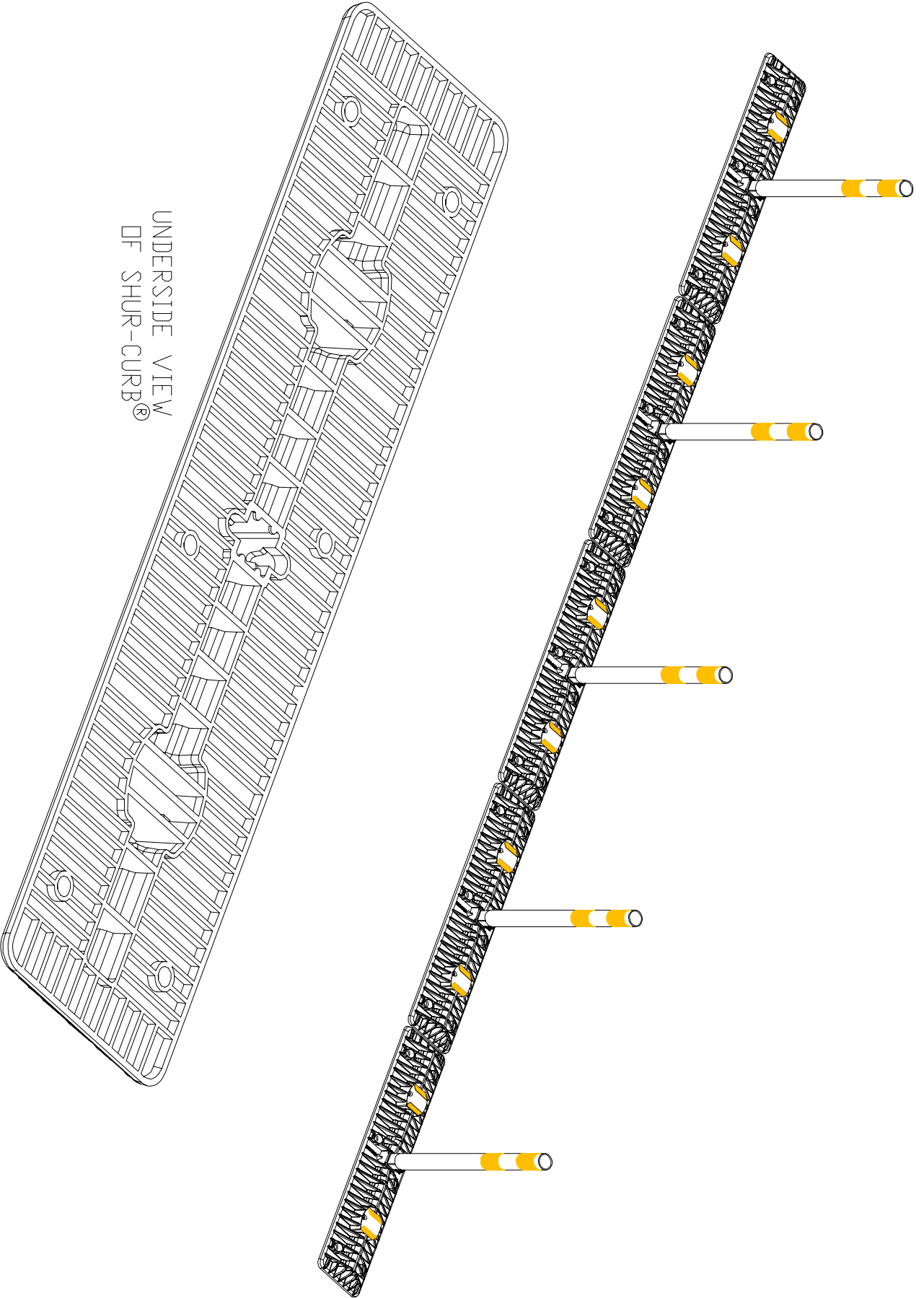
1 OF 2



2 EA, 3" WIDE
REFLECTIVE WRAPS



36"



UNDERSIDE VIEW
OF SHUR-CURB®

SHUR-TITE®
PRODUCTS
P. O. BOX 2283
ROUND ROCK, TEXAS 78680
(512) 218-9500

TYPE:

SHUR-CURB®
TRAFFIC CHANNELIZER

DRAWN BY: PH	ITEM #: SF0020
CHECKED BY: DWH	DATE: 10/04/12
	SHEET: 2 OF 2