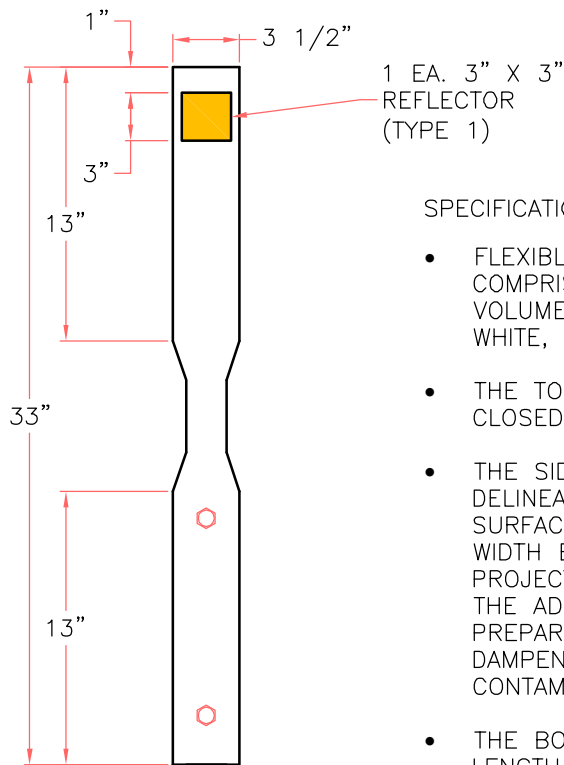


SHUR-TITE®
CABLE BARRIER DELINEATOR
(#SC2770)
"FOR USE WITH TUBULAR POST"



SPECIFICATIONS:

- FLEXIBLE, 33", IMPACT RESISTANT, DELINEATOR POSTS, COMPRISED OF RUBBER COMPOSITE, INCLUDING, 80% BY VOLUME, POST CONSUMER RECYLED HDPE, WITH A BRIGHT WHITE, PREMIUM U.V. INHIBITED, CO-EXTRUDED HDTP SHELL.
- THE TOP OF TUBULAR POSTS SHALL BE PERMANENTLY CLOSED TO PREVENT MOISTURE OR DEBRIS FROM ENTERING.
- THE SIDE OF THE POST FACING TRAFFIC, UPON WHICH THE DELINEATOR IS TO BE MOUNTED. SHALL HAVE A FLAT SURFACE WITH MINIMUM DIMENSIONS OF 3.25 INCHES IN WIDTH BY 12 INCHES IN LENGTH. THE TEXTURE OF THE PROJECTED SURFACE SHALL BE SMOOTH AND SUITABLE FOR THE ADHERENCE OF REFLECTIVE SHEETING WITHOUT PREPARATION OTHER THAN WIPING WITH A CLEAN CLOTH DAMPENED WITH MINERAL SPIRITS TO REMOVE OIL-TYPE CONTAMINANTS.
- THE BOTTOM OF THE POST SHALL HAVE A MINIMUM 13 INCH LENGTH FLAT MOUNTING SURFACE WITH MINIMUM DIMENSION OF 3.25 INCHES IN WIDTH.
- THE WIDTH OF THE POST AT ANY POINT (EXCLUDING THE BASE, IF ANY) SHALL BE A MAXIMUM OF 4.125 INCHES.
- THE OUTSIDE DIAMETER OF THE TUBULAR POST SHALL BE A MAXIMUM OF 2 3/8" INCHES.
- THE DELINEATOR IS SECURED TO THE CABLE POST SELF TAPPING SCREWS #14X1 1/2".

R:\SHUR-TITE\8 INCH REFLECTOR TAPE 050509\SC2770 092012.dwg, 9/20/2012 11:52:50 AM

SHUR-TITE®
PRODUCTS

P. O. BOX 2283
 ROUND ROCK, TEXAS 78680

(512) 218-9500

TYPE:

SHUR-TITE
CABLE BARRIER DELINEATOR
(FOR TUBULAR POST)

DRAWN BY:
 PH

ITEM #:
 SC2770

CHECKED BY:
 DWH

DATE:
 09/20/12

SHEET:
 1 OF 1