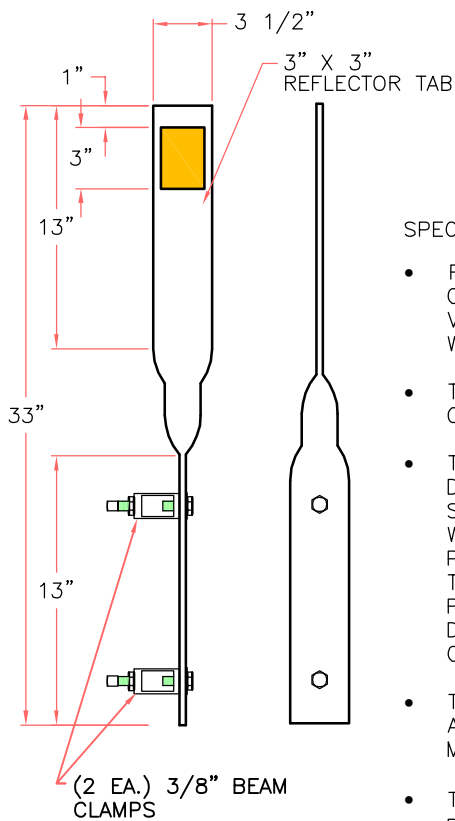


# SHUR-TITE® CABLE BARRIER DELINEATOR (#SC2755) "FOR USE WITH BEAM POST"



**FRONT & SIDE VIEW**

**SPECIFICATIONS:**

- FLEXIBLE, 33", IMPACT RESISTANT, DELINEATOR POSTS, COMPRISED OF RUBBER COMPOSITE, INCLUDING, 80% BY VOLUME, POST CONSUMER RECYCLED HDPE, WITH A BRIGHT WHITE, PREMIUM U.V. INHIBITED, CO-EXTRUDED HDTP SHELL.
- THE TOP OF TUBULAR POSTS SHALL BE PERMANENTLY CLOSED TO PREVENT MOISTURE OR DEBRIS FROM ENTERING.
- THE SIDE OF THE POST FACING TRAFFIC, UPON WHICH THE DELINEATOR IS TO BE MOUNTED. SHALL HAVE A FLAT SURFACE WITH MINIMUM DIMENSIONS OF 3.25 INCHES IN WIDTH BY 13 INCHES IN LENGTH. THE TEXTURE OF THE PROJECTED SURFACE SHALL BE SMOOTH AND SUITABLE FOR THE ADHERENCE OF REFLECTIVE SHEETING WITHOUT PREPARATION OTHER THAN WIPING WITH A CLEAN CLOTH DAMPENED WITH MINERAL SPIRITS TO REMOVE OIL-TYPE CONTAMINANTS.
- THE BOTTOM OF THE POST SHALL BE TURNED 90° AND HAVE A MINIMUM 13 INCH LENGTH FLAT MOUNTING SURFACE WITH MINIMUM DIMENSION OF 3.25 INCHES IN WIDTH.
- THE WIDTH OF THE POST AT ANY POINT (EXCLUDING THE BASE, IF ANY) SHALL BE A MAXIMUM OF 4.125 INCHES.
- THE OUTSIDE DIAMETER OF THE TUBULAR POST SHALL BE A MAXIMUM OF 2 3/8" INCHES.
- THE DELINEATOR IS SECURED TO THE CABLE POST WITH 3/8" BEAM CLAMPS.

R:\SHUR-TITE\SC2755 092012.dwg, 9/20/2012 11:21:05 AM

**SHUR-TITE®  
PRODUCTS**

P. O. BOX 2283  
ROUND ROCK, TEXAS 78680

(512) 218-9500

TYPE:

**SHUR-TITE CABLE  
BARRIER DELINEATOR  
(FOR BEAM POST)**

DRAWN BY:  
PH

ITEM #:  
SC2755

CHECKED BY:  
DWH

DATE:  
07/13/12

SHEET:  
1 OF 1