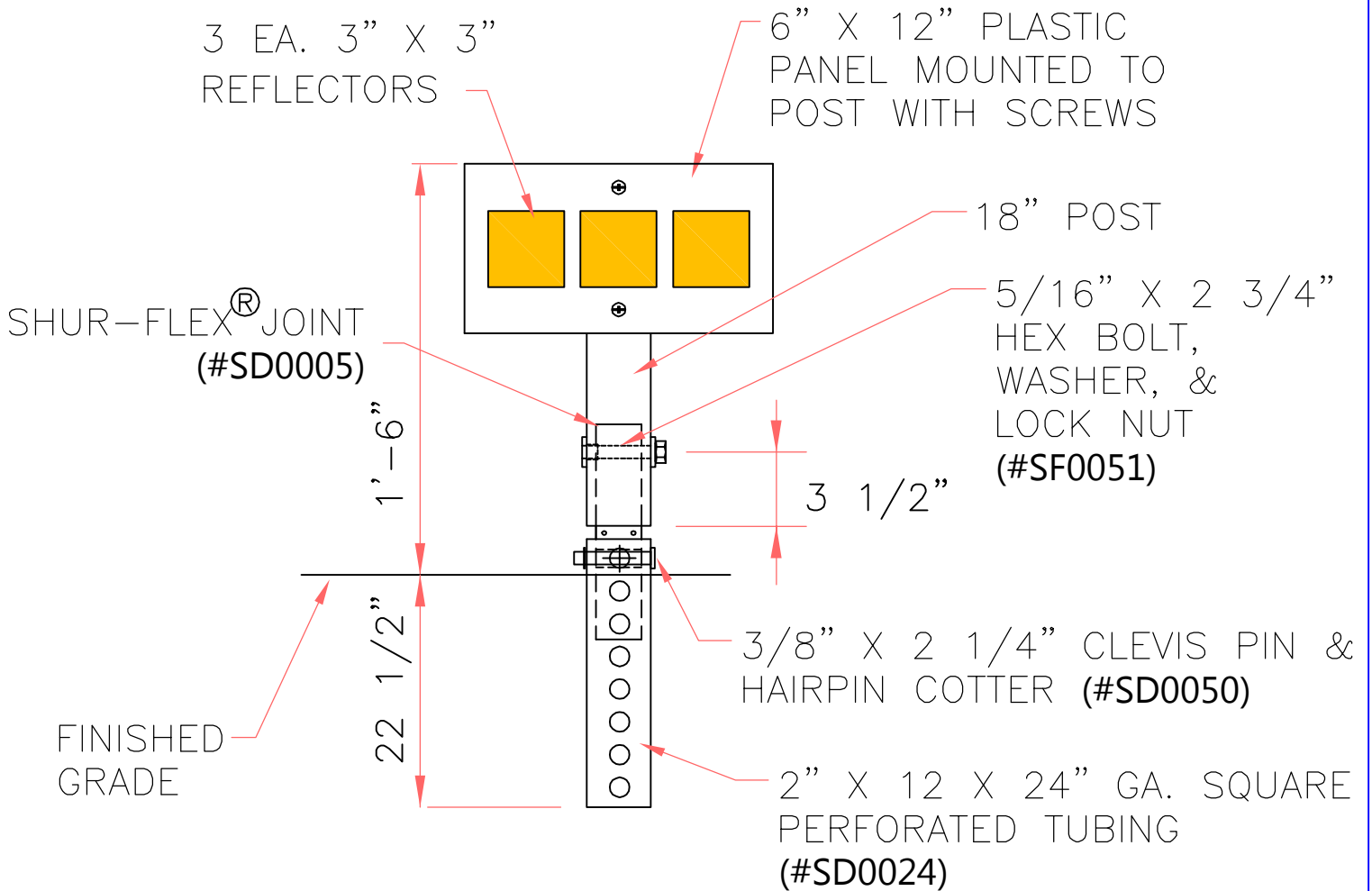


# SHUR-FLEX® 18" DRIVEABLE "K" MARKER DETAIL



H:\SHUR-TITE\SF DRY K MKR 080111.dwg, 8/1/2011 4:19:16 PM

SHUR-TITE®  
PRODUCTS

P. O. BOX 2283  
ROUND ROCK, TEXAS 78680

(512) 218-9500

TYPE:

SHUR-FLEX® 18" DRIVEABLE  
"K" MARKER DETAIL

DRAWN BY:

PH

DATE:

08/01/11

CHECKED BY:

DWH

REVISION:

1

SHEET:

1 OF 1