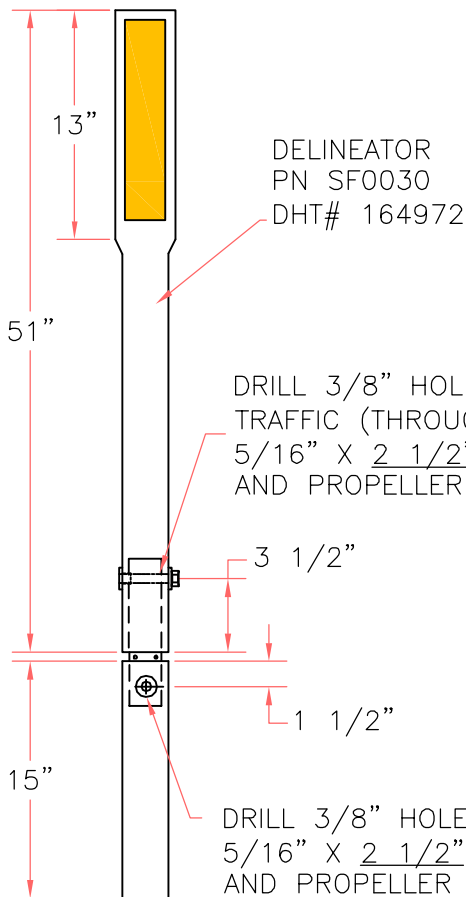
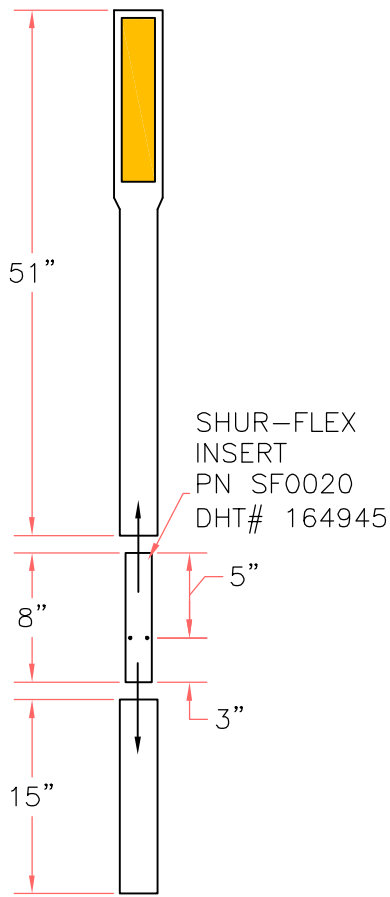


SHUR-FLEX SOCKET MOUNT DELINEATOR



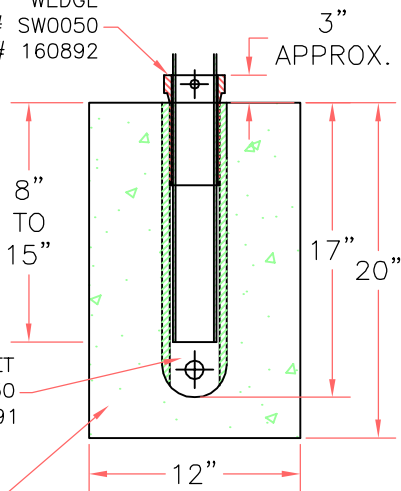
DRILL 3/8" HOLE PERPENDICULAR TO TRAFFIC (THROUGH SIDE OF DELINEATOR).
5/16" X 2 1/2" HEX BOLT, WASHER AND PROPELLER NUT.

DRILL 3/8" HOLE (TRAFFIC FACE).
5/16" X 2 1/2" HEX BOLT, WASHER, AND PROPELLER NUT. PROPELLER NUT IS FACING TRAFFIC.

NOTE:

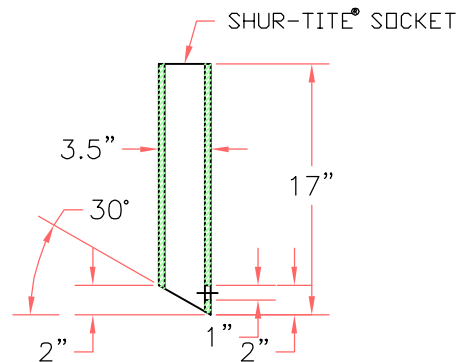
USE 2 1/2" LENGTH BOLT FOR THIS APPLICATION.

WEDGE
PART # SW0050
DHT # 160892



SOCKET
PART # SS0130
DHT # 160891

NON-REINFORCED CONCRETE FOOTING (SHALL BE USED UNLESS NOTED ELSEWHERE IN THE PLANS). FOUNDATION SHOULD TAKE APPROX. 1.3 CF OF CONCRETE. (APPROX. 20 POSTS CAN BE INSTALLED PER CUBIC YARD OF CONCRETE.)



SHUR-TITE®
PRODUCTS

TYPE:
SHUR-FLEX SOCKET MNT DELINEATOR
FABRICATION DETAIL

DRAWN BY: PH	ITEM #: SF0030
CHECKED BY: DWH	DATE: 08/27/10
	SHEET: 1 OF 1