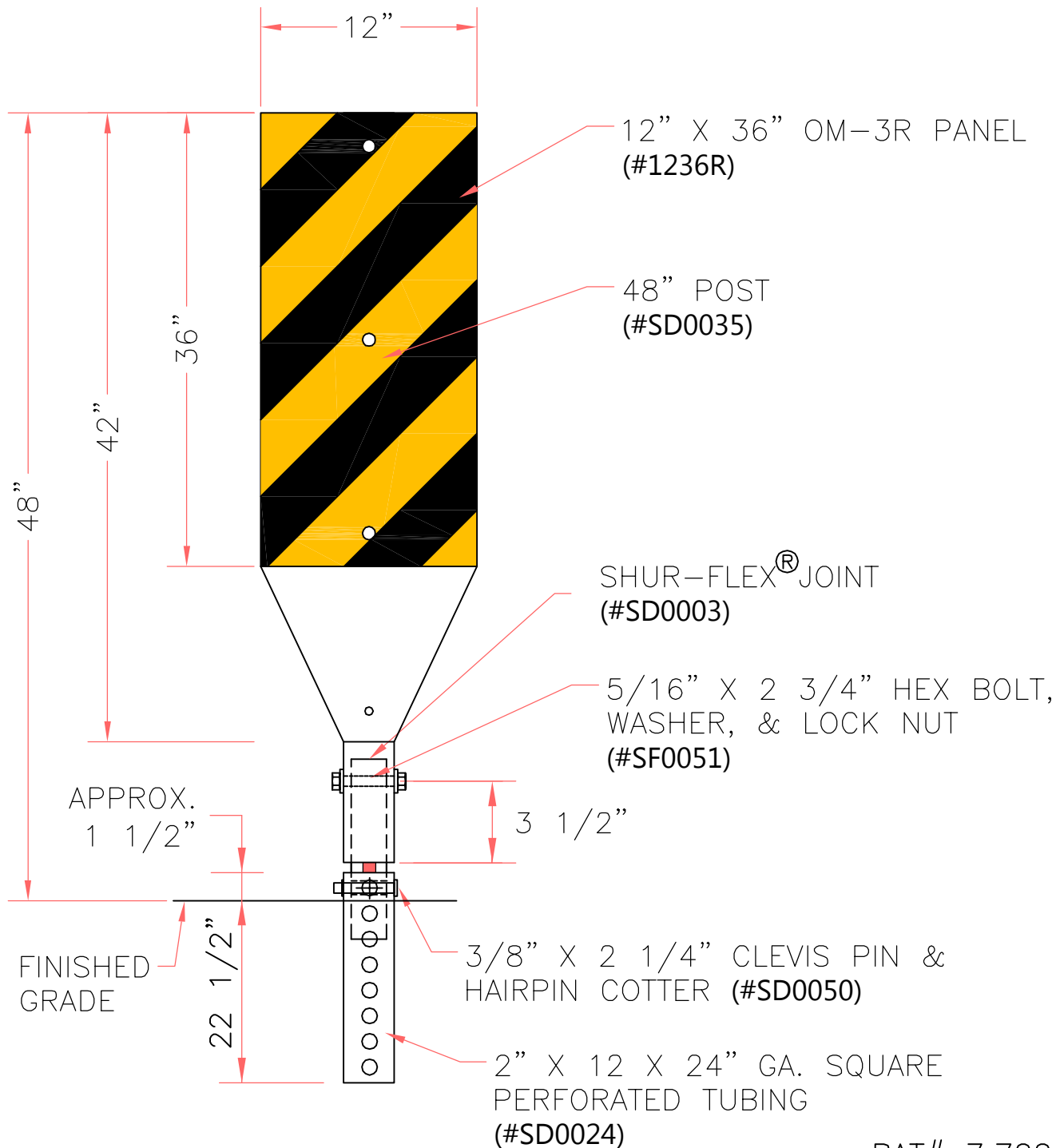


12" x 36" OBJECT MARKER-3 PANEL (RIGHT OR LEFT) SHUR-FLEX[®] DRIVEABLE DELINEATOR DETAIL (#SD1236-R or L)



PAT# 7,722,286

R:\SHUR-TITE\SD1236-R OR L 082812.dwg, 8/28/2012 4:20:06 PM

SHUR-TITE[®]
PRODUCTS

P. O. BOX 2283
ROUND ROCK, TEXAS 78680

(512) 218-9500

TYPE:

12" X 36" OBJECT MARKER-3 PANEL (RIGHT OR LEFT)
SHUR-FLEX[®] DRIVEABLE DELINEATOR DETAIL

DRAWN BY:

PH

ITEM #:

SD1236-R or L

CHECKED BY:

DWH

DATE:

08/28/12

SHEET:

1 OF 1