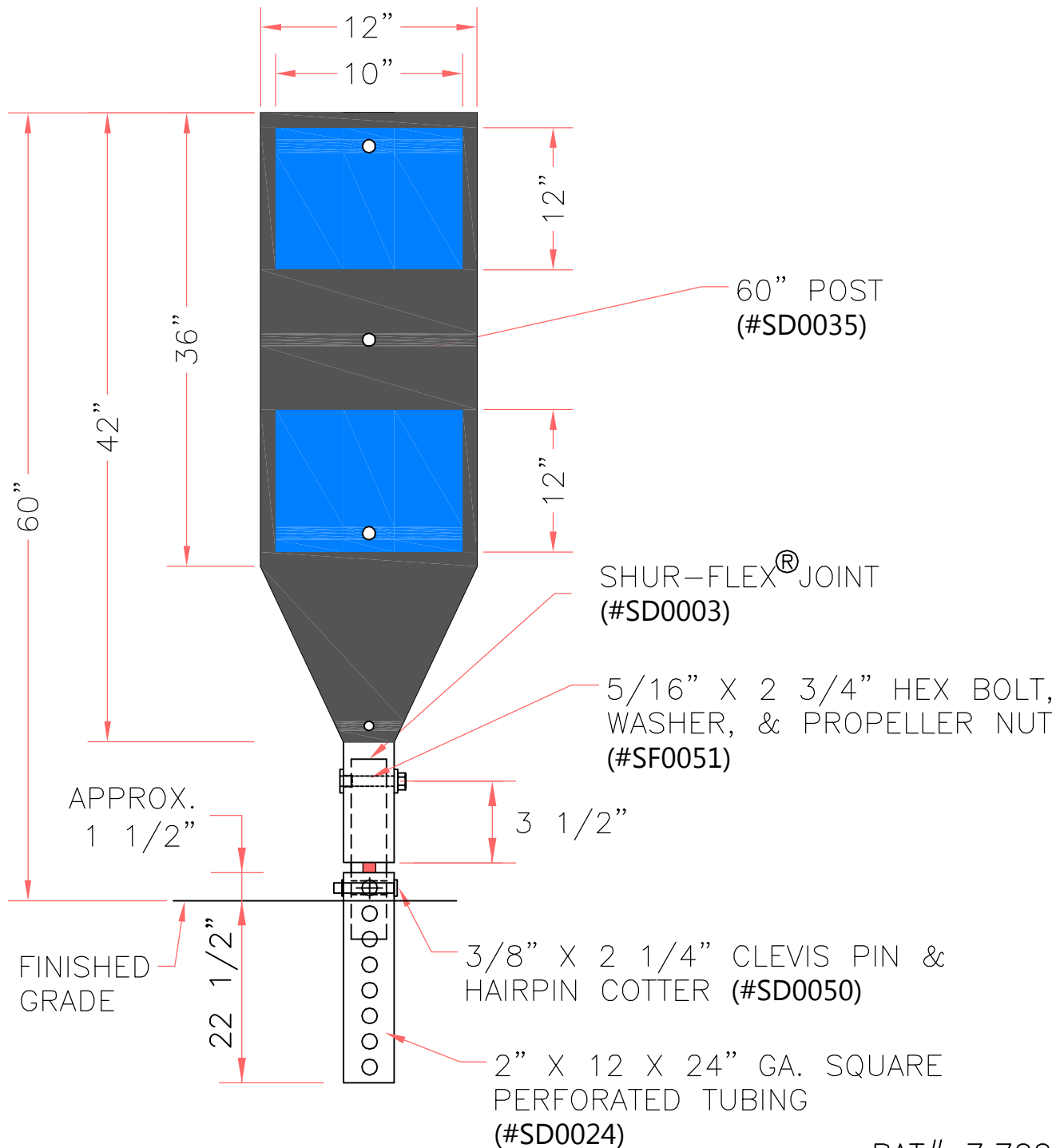


12" x 36" NEVADA EMERGENCY CROSSOVER PANEL

SHUR-FLEX[®] DRIVEABLE DELINEATOR DETAIL (#SD1236-B)



PAT# 7,722,286

H:\SHUR-TITE\SD1236-B 040412.dwg, 4/4/2012 4:34:23 PM

SHUR-TITE[®]
PRODUCTS

P. O. BOX 2283
ROUND ROCK, TEXAS 78680

(512) 218-9500

TYPE:
12" X 36" NEVADA EMER. CROSSOVER PANEL
SHUR-FLEX[®] DRIVEABLE DELINEATOR DETAIL

| | |
|--------------------|---------------------|
| DRAWN BY: PH | ITEM #: SD1236-B |
| CHECKED BY: DWH | DATE: 04/04/12 |
| | SHEET: 1 OF 1 |