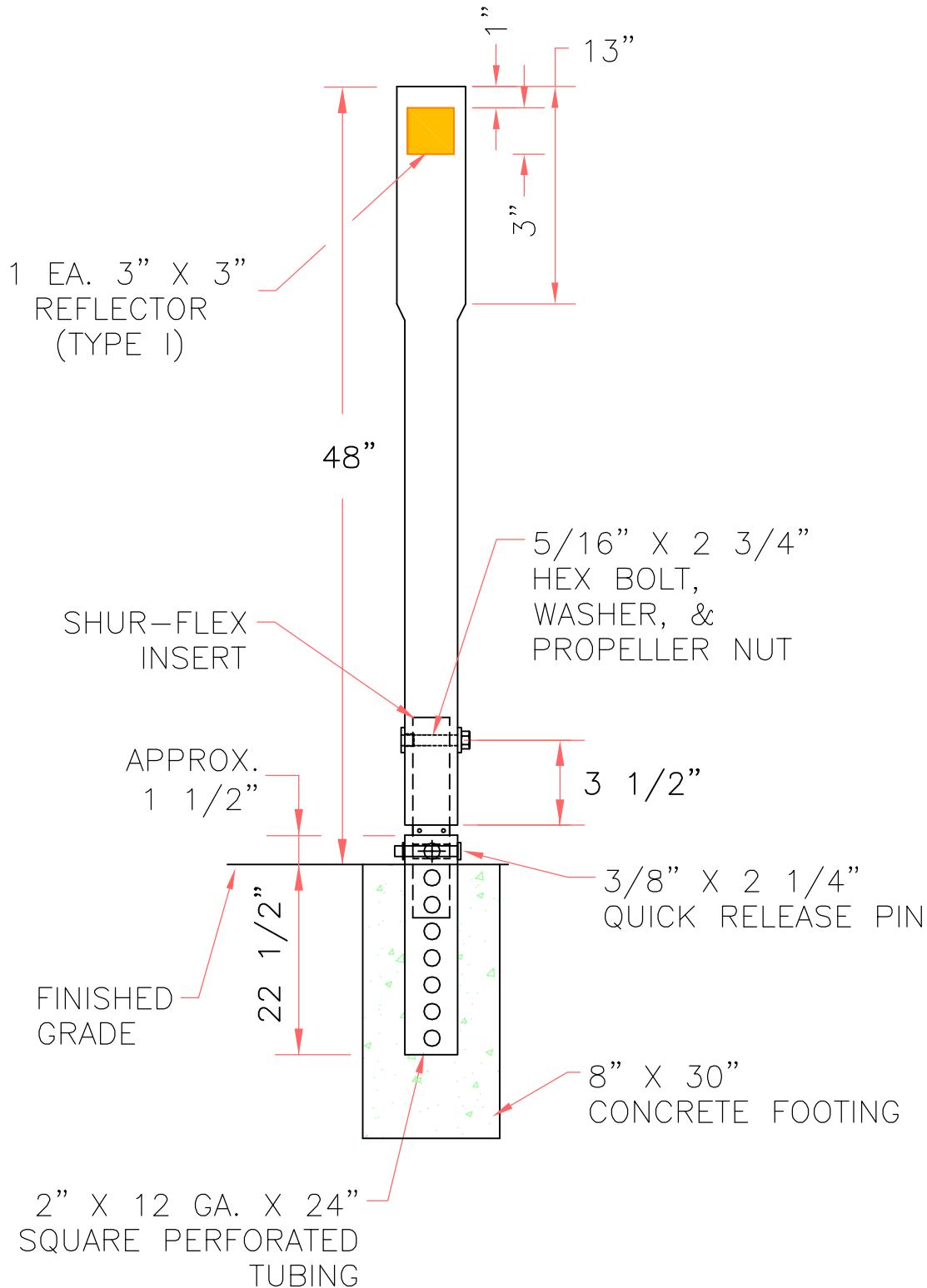


# SHUR-FLEX<sup>®</sup>

## DRIVEABLE DELINEATOR CONCRETE INSTALLATION



H:\SHUR-TITE\COLORADO\SF DRV DEL N CONC FTG 051711.dwg, 5/17/2011 11:32:22 AM

**SHUR-TITE<sup>®</sup>**  
PRODUCTS

P. O. BOX 2283  
ROUND ROCK, TEXAS 78680

(512) 218-9500

TYPE:

**SHUR-FLEX<sup>®</sup>**  
DRIVEABLE DELINEATOR DETAIL  
CONCRETE INSTALLATION

DRAWN BY:  
PH

ITEM #:  
SD0031

CHECKED BY:  
DWH

DATE:  
05/17/11

SHEET:  
1 OF 1