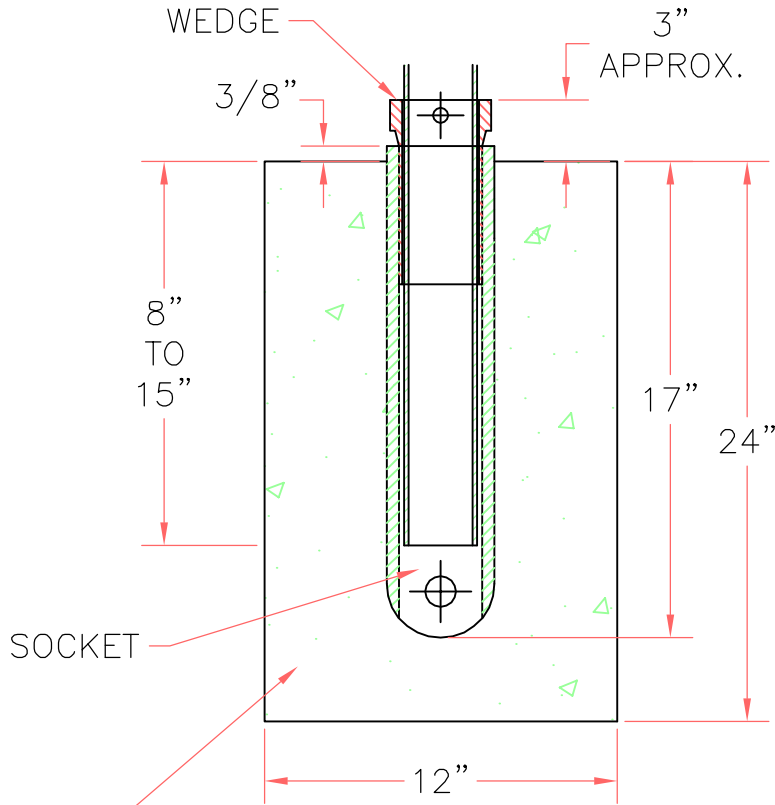
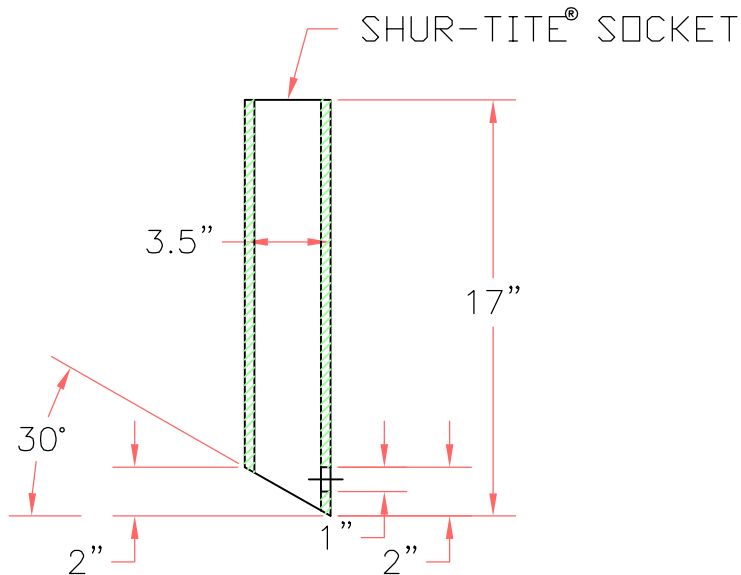


FOUNDATION FOR SINGLE AND DOUBLE MAILBOX ASSEMBLY



NON-REINFORCED CONCRETE FOOTING (SHALL BE USED UNLESS NOTED ELSEWHERE IN THE PLANS). FOUNDATION SHOULD TAKE APPROX. 1.6 CF OF CONCRETE. (APPROX. 17 POSTS CAN BE INSTALLED PER CUBIC YARD OF CONCRETE.)



SHUR-TITE®
PRODUCTS

TYPE:

WEDGE ANCHOR
PLASTIC SYSTEM

DRAWN BY:

PH

DATE:

07/02/07

CHECKED BY:

DWH

REVISION:

1

SHEET:

1 OF 1