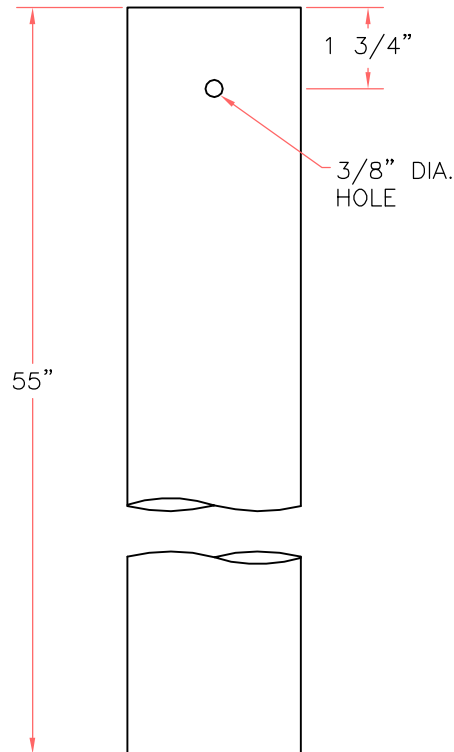
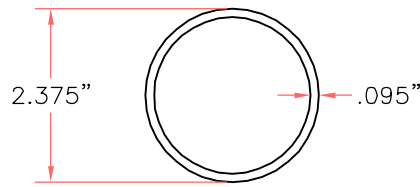


SHUR-TITE WHITE THIN WALL STEEL TUBE MAILBOX POST



GENERAL NOTE:

- A. TUBING SHALL BE GALVANIZED WITH A CLEAN WHITE POLYESTER POWDER COAT FINISH
- B. 13 BWG TUBING (2.375" OUTSIDE DIAMETER)
- C. .095" NOMINAL WALL THICKNESS
- D. SEAMLESS OR ELECTRIC-RESISTANCE WELDED STEEL TUBING
- E. STEEL SHALL BE HSLAS GR 55 PER ASTM A1011 OR A1008

H: SHUR-TITE STEEL TUBE MAILBOX POST 7-18-07 DWH 07/2007-3-0432-AM

**SHUR-TITE®
PRODUCTS**

P. O. BOX 2283
ROUND ROCK, TEXAS 78680

(512) 218-9500

TYPE:

WHITE THIN WALL STEEL
TUBE MAILBOX POST

DRAWN BY:

PH

DATE:

07/18/07

CHECKED BY:

DWH

REVISION:

1

SHEET:

1 OF 1