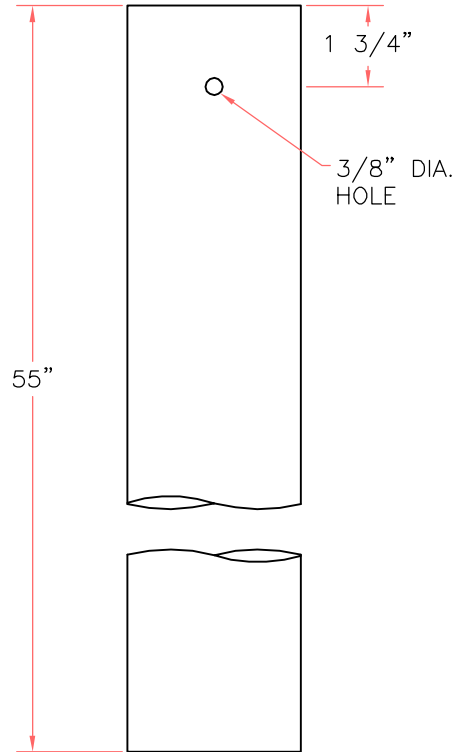
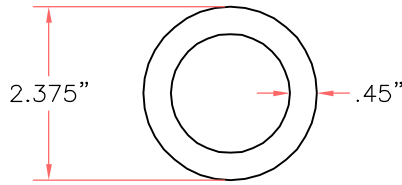


# SHUR-TITE RECYCLED TIRE RUBBER/HDTP MAILBOX POST



**GENERAL NOTE:**

- A. TUBING SHALL BE COMPRISED OF HDTP RUBBER COMPOSITE, INCLUDING 10% BY VOLUME RECYCLED TIRE RUBBER WITH A BRIGHT WHITE PREMIUM U.V. INHIBITED, CO-EXTRUDED HDTP SHELL
- B. THE OUTSIDE DIAMETER OF THE TUBULAR POST SHALL BE A MAXIMUM OF 2 3/8"
- C. .45" NOMINAL WALL THICKNESS

I:\SHUR-TITE\RECYCLED TIRE MAILBOX POST 7-18-07.dwg, 7/19/2007 4:12:10 PM

**SHUR-TITE®  
PRODUCTS**

TYPE:

RECYCLED TIRE RUBBER/HDTP  
MAILBOX POST

DRAWN BY:

PH

DATE:

07/18/07

CHECKED BY:

DWH

REVISION:

1

SHEET:

1 OF 1