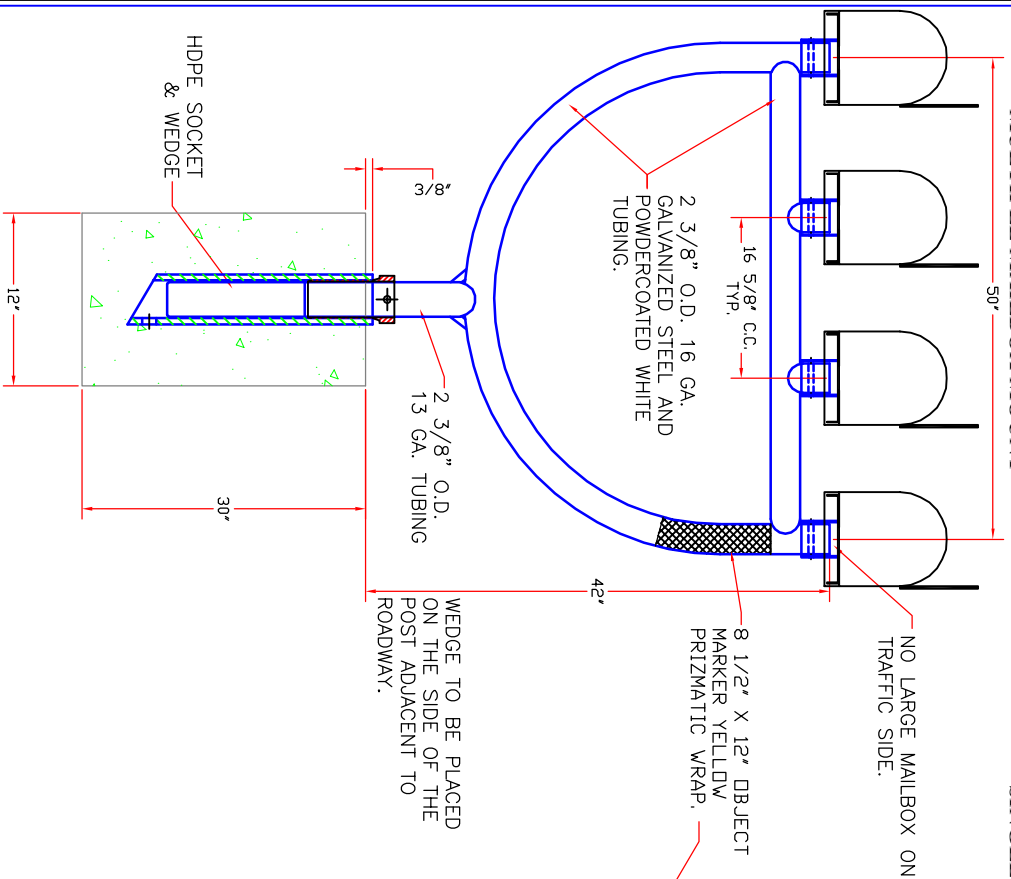
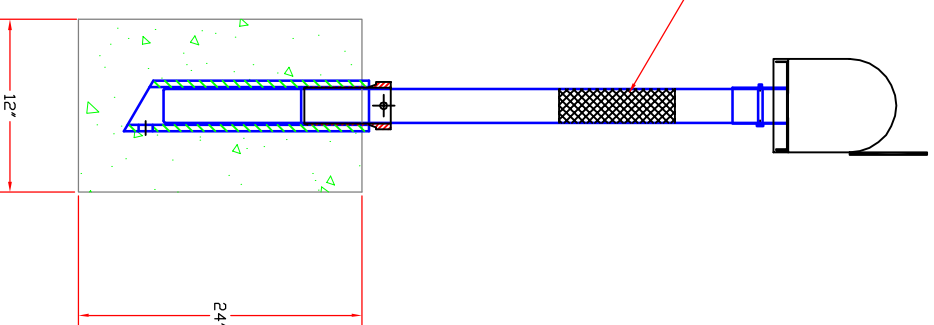


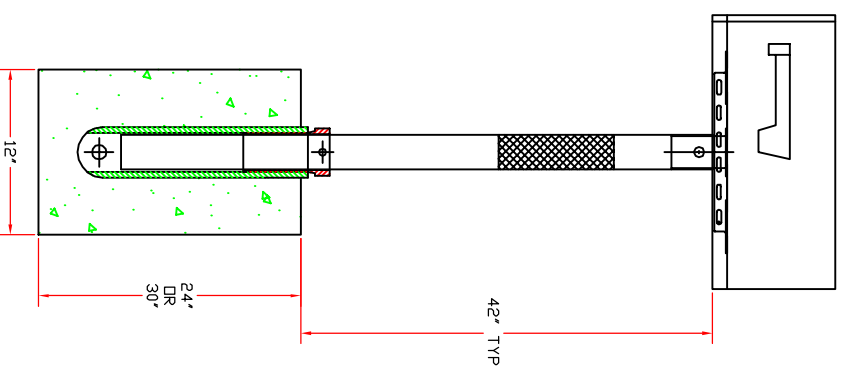
MULTIPLE MAILBOX MOUNT



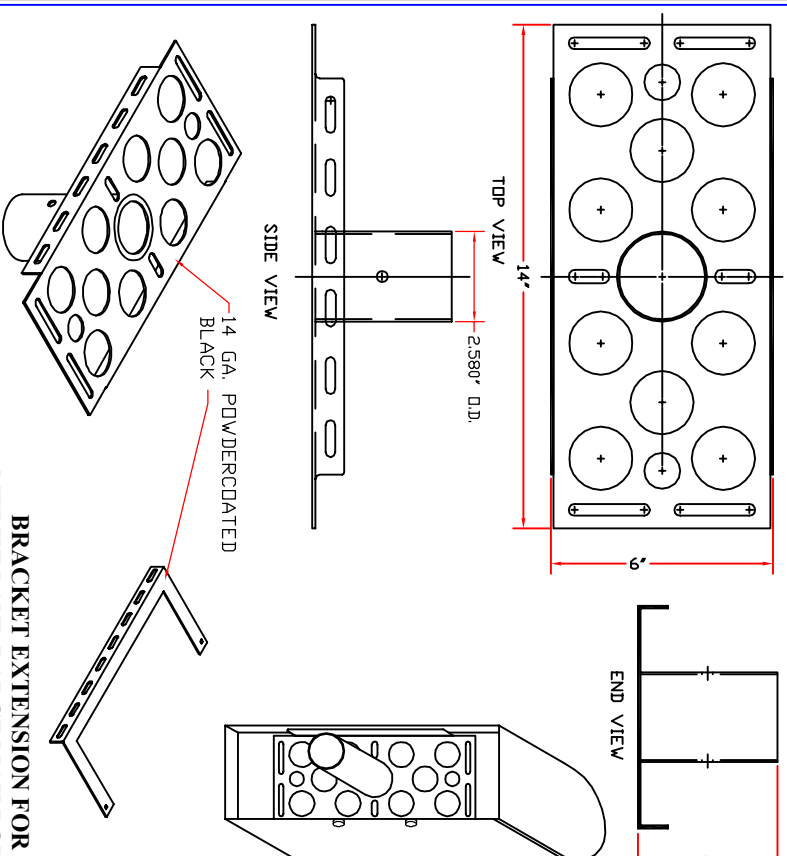
SINGLE & DOUBLE MAILBOX MOUNT



SIDE VIEWS OF MAILBOX MOUNTS



MAILBOX BRACKET



BRACKET EXTENSION FOR MEDIUM AND LARGE MAILBOXES

MEDIUM AND LARGE MAILBOX ATTACHMENTS

SMALL MAILBOX ATTACHMENTS

BRACKET TO MAILBOX ATTACHMENT: 4EA 1/4" DIA. X 3/4" BOLT W/2 FLAT WASHERS AND NUT PER EACH BOLT.

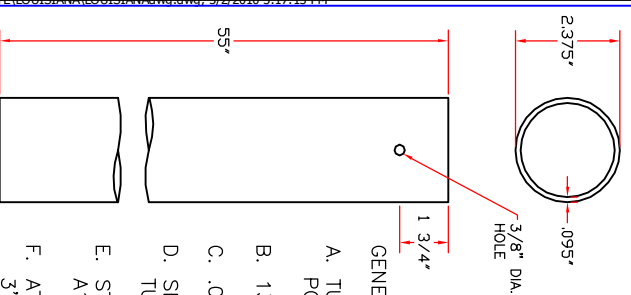
BRACKET TO POST: 1EA 5/16" DIA. X 3" BOLT WITH 2 FLAT WASHERS, LOCK WASHER AND NUT.

BRACKET TO MAILBOX: 4EA 1/4" DIA. X 3/4" BOLT W/2 FLAT WASHERS AND NUT PER EACH BOLT.

BRACKET TO BRACKET EXTENSION: 2EA 1/4" DIA. X 3/4" CARRIAGE BOLT W/FLAT WASHER, LOCK WASHER AND NUT PER BOLT (4 BOLTS REQUIRED IF 2 BRACKET EXTENSION ARE USED)

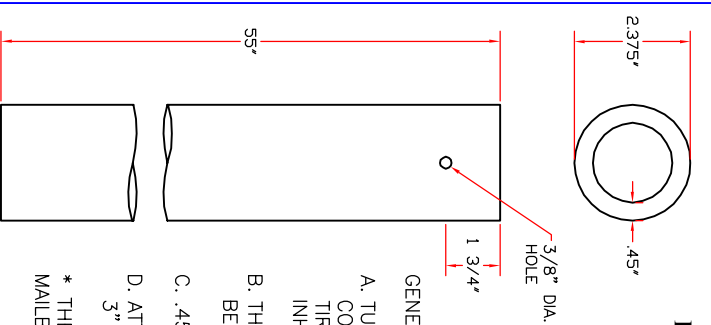
BRACKET TO POST: 1EA 5/16" DIA. X 3" BOLT WITH 2 FLAT WASHERS, LOCK WASHER AND NUT.

WHITE THIN WALL STEEL TUBE MAILBOX POST



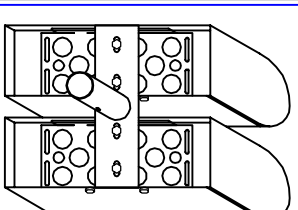
- GENERAL NOTE:**
- A. TUBING SHALL BE GALVANIZED WITH A CLEAN WHITE POLYESTER POWDER COAT FINISH
 - B. 13 BWG TUBING (2.375" OUTSIDE DIAMETER)
 - C. .095" NOMINAL WALL THICKNESS
 - D. SEAMLESS OR ELECTRIC-RESISTANCE WELDED STEEL TUBING
 - E. STEEL SHALL BE HSLAS GR 55 PER ASTM A1011 OR A1008
 - F. ATTACH MAILBOX BRACKET TO POST WITH A 5/16" X 3" BOLT, 2 FLATWASHERS, LOCKWASHER AND NUT.
- * THE STEEL POST CAN BE USED FOR SINGLE OR DOUBLE MAILBOX INSTALLATION WITH A SMALL, MEDIUM OR LARGE MAILBOX.

RUBBER/HDTP MAILBOX POST



- GENERAL NOTE:**
- A. TUBING SHALL BE COMPRISED OF HDTP RUBBER-COMPOSITE, INCLUDING 10% BY VOLUME RECYCLED TIRE RUBBER WITH A BRIGHT WHITE PREMIUM U.V. INHIBITED, CO-EXTRUDED HDTP SHELL
 - B. THE OUTSIDE DIAMETER OF THE TUBULAR POST SHALL BE A MAXIMUM OF 2 3/8"
 - C. .45" NOMINAL WALL THICKNESS
 - D. ATTACH MAILBOX BRACKET TO POST WITH A 5/16" X 3" BOLT, 2 FLATWASHERS, LOCKWASHER AND NUT.
- * THE RECYCLED POST SHOULD BE USED FOR A SINGLE MAILBOX INSTALLATION WITH A SMALL MAILBOX ONLY.

DOUBLE MAILBOX ASSEMBLY



DOUBLE MAILBOX ATTACHMENTS

BRACKET TO MAILBOX: 8EA 1/4" DIA. X 3/4" BOLT W/2 FLAT WASHERS AND NUT PER EACH BOLT.

BRACKET TO DOUBLE ADAPTER: 4EA 5/16" DIA. X 3/4" BOLT W/ 2 FLAT WASHER, AND NUT PER EACH BOLT.

DOUBLE ADAPTER TO POST: 1EA 5/16" DIA. X 3" BOLT WITH 2 FLAT WASHERS, LOCK WASHER AND NUT.

TYPE:

SHUR-TITE® MAILBOX STANDARDS

DRAWN BY:

JC

DATE:

02/08/06

CHECKED BY:

DWH

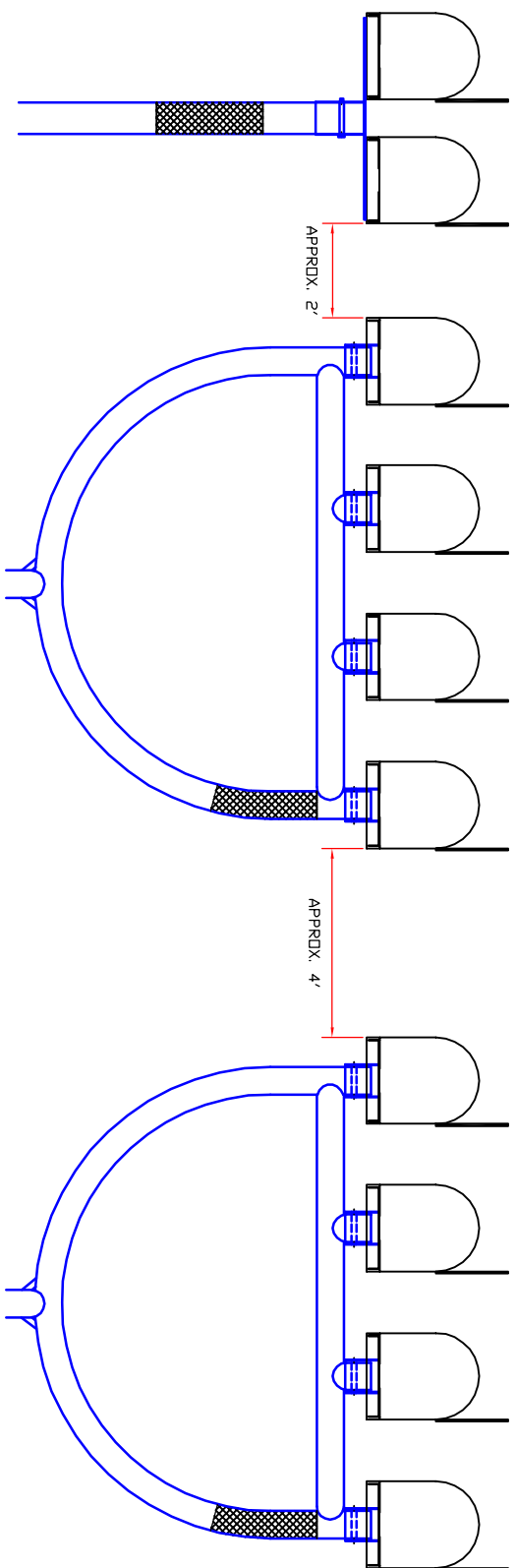
REVISION:

1

SHEET:

1 OF 2

MULTIPLE MAILBOX PLACEMENT

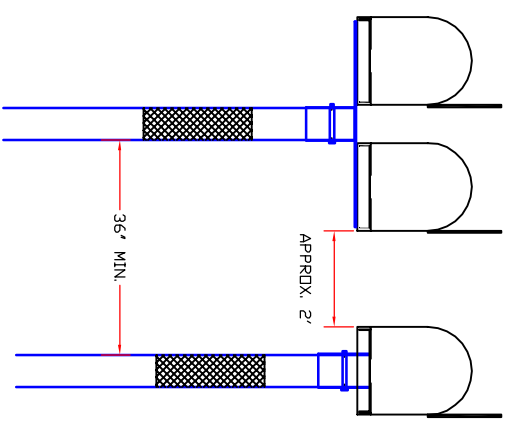


4' CLEAR DISTANCE BETWEEN MULTIPLE INSTALLATIONS AND 2' CLEARANCE BETWEEN DOUBLE OR SINGLE INSTALLATIONS AND THE MULTIPLE INSTALLATION.

INSTALLATION INSTRUCTIONS FOR MAILBOX SUPPORTS

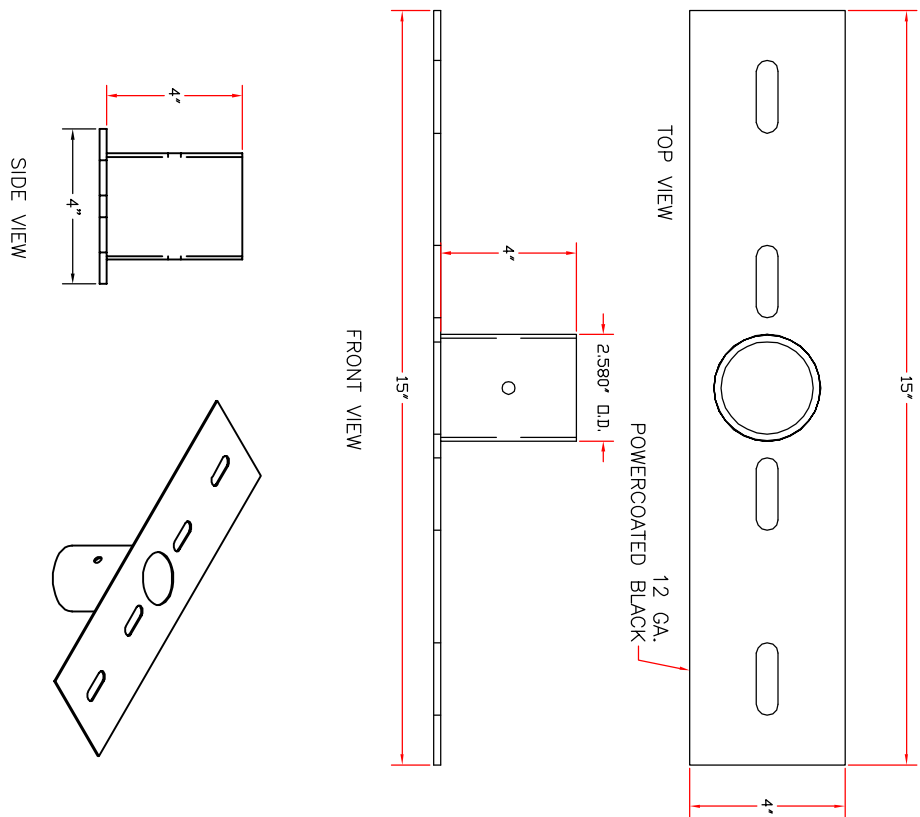
1. DIG HOLE 12" DIAMETER BY 24" OR 30" DEEP.
2. PLACE HDPE SOCKET ON UPRIGHT ASSEMBLY STAND STEM. FLAT END OF SOCKET ON TOP. INSERT MAILBOX POST INTO SOCKET (THE UPRIGHT STEM SUPPORTS THE POST ABOVE THE LOCKING PORT ON THE BOTTOM OF SOCKET THROUGH WHICH CONCRETE FLOWS AND "LOCKS" IT INTO THE FOOTING.) POSITION WEDGE BETWEEN SOCKET AND POST. DRIVE WEDGE DOWN UNTIL APPROXIMATELY 3/8" ABOVE TOP OF SOCKET WITH DRIVER. THE THREE COMPONENT MAILBOX SUPPORT IS READY FOR INSTALLATION.
3. MIX AND POUR CONCRETE UP TO APPROXIMATELY 12" FROM TOP OF HOLE. NOTE: CONCRETE SHOULD BE 3000 PSI OR BETTER ACCORDING TO SPECIFICATIONS.
- * USE BETWEEN A (2" & 3") SLUMP, "DRY" CONCRETE.
4. INSERT POST SOCKET ASSEMBLY INTO CONCRETE SO THAT TOP OF SOCKET IS JUST ABOVE GROUND LEVEL. POSITION SOCKET IN HOLE SO THAT WEDGE FACES ONCOMING TRAFFIC FOR SINGLE & DOUBLE MOUNTS AND FACES ROADWAY FOR MULTIPLE MOUNTS.
5. POUR CONCRETE AROUND SOCKET UNTIL IT LEVELS OFF AT TOP OF HOLE SO THAT ONLY APPROXIMATELY 3/8" OF TOP OF SOCKET IS ABOVE THE TOP OF CONCRETE.
6. INSTALL MAILBOX BRACKET(S) ON TOP OF POST AND POSITION 90° TO ROADWAY.

SINGLE & DOUBLE MAILBOX PLACEMENT

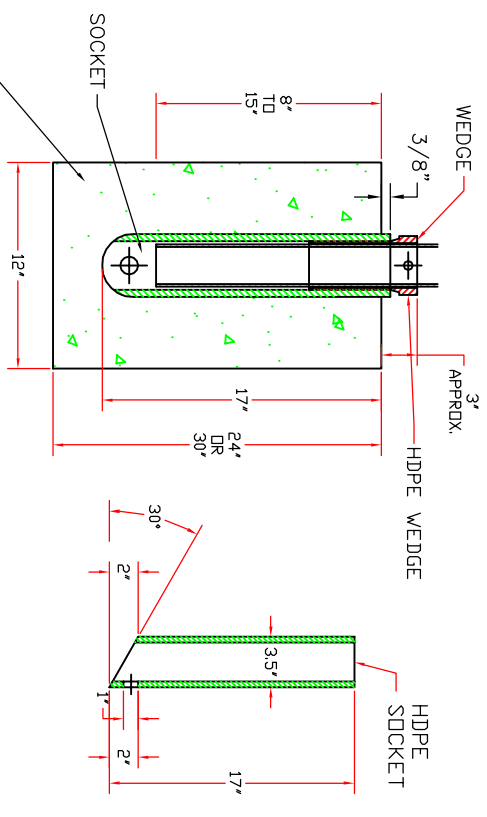


CLEAR DISTANCE BETWEEN SINGLE OR DOUBLE MOUNTED POSTS. (WHEN 3 OR MORE MAILBOXES ARE IN ONE LOCATION, A MULTIPLE SUPPORT IS USED)

DOUBLE MAILBOX ADAPTER



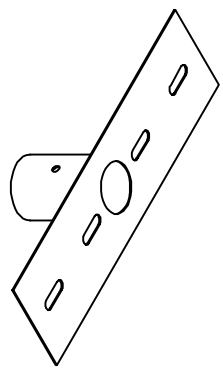
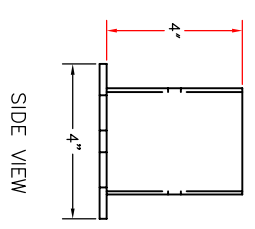
FOUNDATION FOR SINGLE, DOUBLE, & MULTIPLE MAILBOX ASSEMBLY



NON-REINFORCED CONCRETE FOOTING (SHALL BE USED UNLESS NOTED ELSEWHERE IN THE PLANS). FOUNDATION SHOULD TAKE APPROX. 1.6 CF OF CONCRETE. (APPROX. 17 POSTS CAN BE INSTALLED PER CUBIC YARD OF CONCRETE.)

MAILBOXES SHALL BE MADE OF LIGHT WEIGHT SHEET METAL OR LIGHT WEIGHT PLASTIC. HEAVY STEEL, CAST IRON OR DECORATIVE MAILBOXES SHALL NOT BE USED ON THE STATE HIGHWAY SYSTEM.

TYPICAL MAILBOX SIZE			LIGHT WEIGHT MATERIAL	
			SHEET METAL	MAXIMUM WEIGHT POUNDS
SIZE	LENGTH	WIDTH	WEIGHT	
SMALL	19 1/2"	6"	7'	5
MEDIUM	22 1/2"	8"	11 1/2"	7
LARGE	23 1/2"	11 1/2"	11 1/2"	10



TYPE: SHUR-TITE® MAILBOX STANDARDS

SHUR-TITE® PRODUCTS

P. O. BOX 2283
ROUND ROCK, TEXAS 78680

(512) 218-9500

DRAWN BY: JC	DATE: 02/08/06
CHECKED BY: DWH	REVISION: 1
	SHEET: 2 OF 2