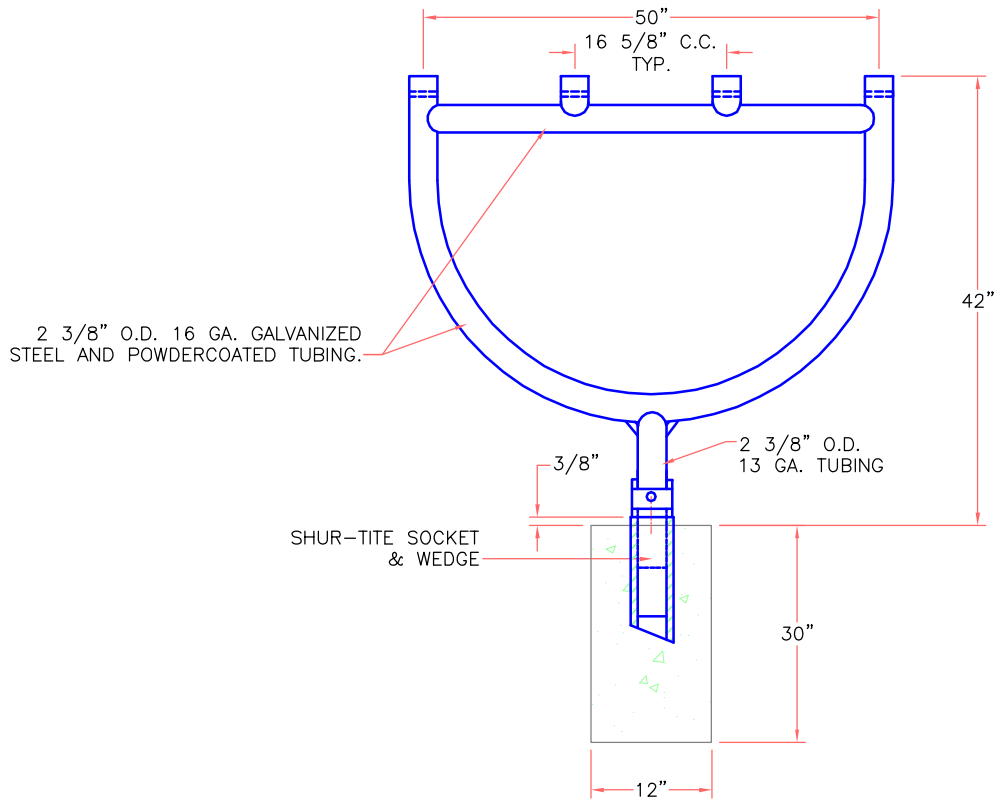
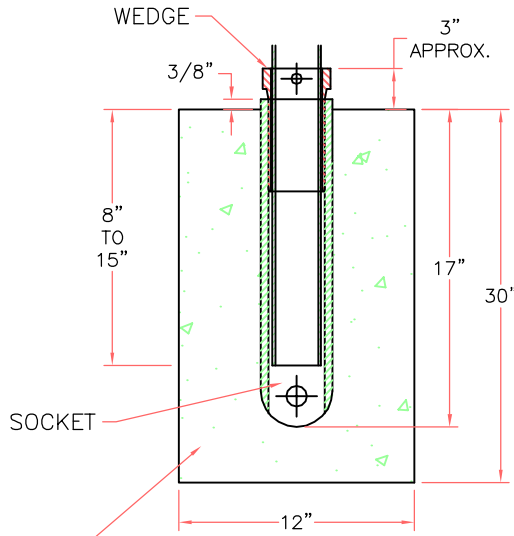


MULTIPLE MAILBOX MOUNT



PLAN VIEW



NON-REINFORCED CONCRETE FOOTING (SHALL BE USED UNLESS NOTED ELSEWHERE IN THE PLANS). FOUNDATION SHOULD TAKE APPROX. 1.9 CF OF CONCRETE. (APPROX. 14 POSTS CAN BE INSTALLED PER CUBIC YARD OF CONCRETE.)

**SHUR-TITE®
PRODUCTS**

TYPE:

MULTIPLE MAILBOX
MOUNT

DRAWN BY:

PH

DATE:

07/02/07

CHECKED BY:

DWH

REVISION:

1

SHEET:

1 OF 1