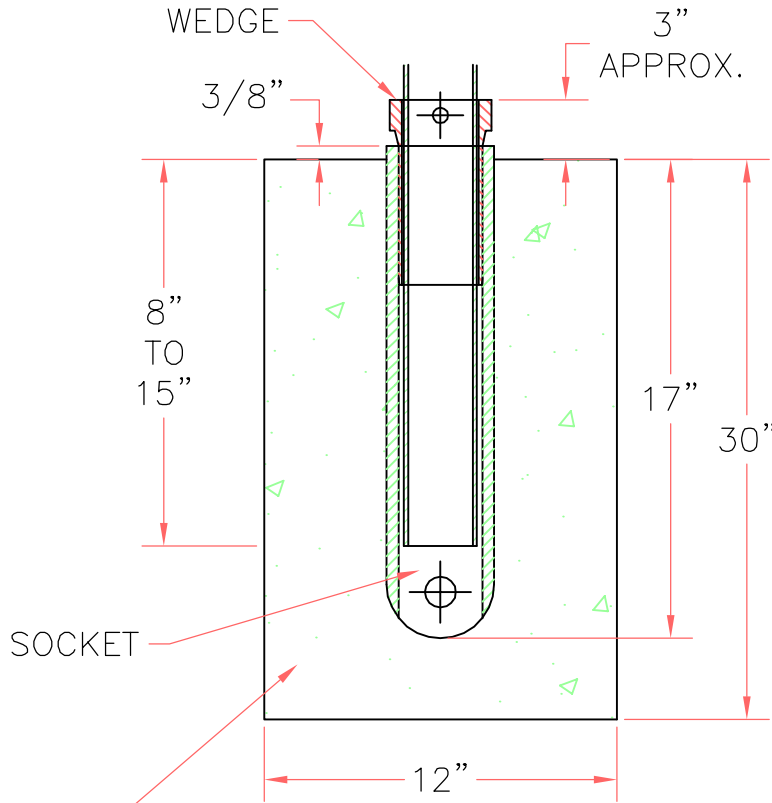
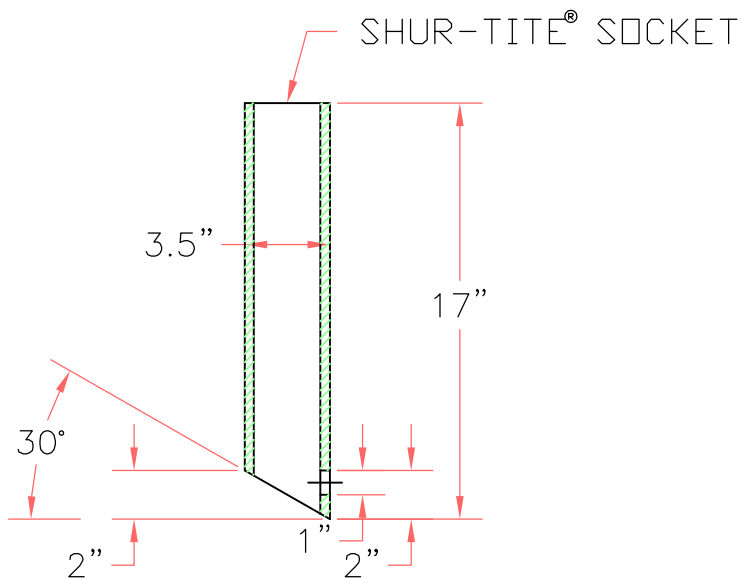


# FOUNDATION FOR MULTIPLE MAILBOX SUPPORT ASSEMBLY



NON-REINFORCED CONCRETE FOOTING (SHALL BE USED UNLESS NOTED ELSEWHERE IN THE PLANS). FOUNDATION SHOULD TAKE APPROX. 1.9 CF OF CONCRETE. ( APPROX. 14 POSTS CAN BE INSTALLED PER CUBIC YARD OF CONCRETE.)



SHUR-TITE®  
PRODUCTS

TYPE:

WEDGE ANCHOR  
PLASTIC SYSTEM

DRAWN BY:

PH

DATE:

07/02/07

CHECKED BY:

DWH

REVISION:

1

SHEET:

1 OF 1