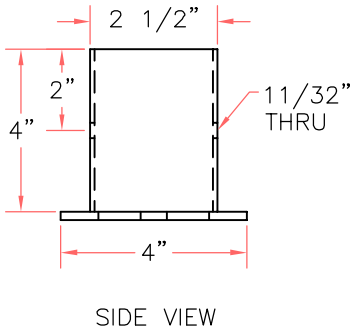
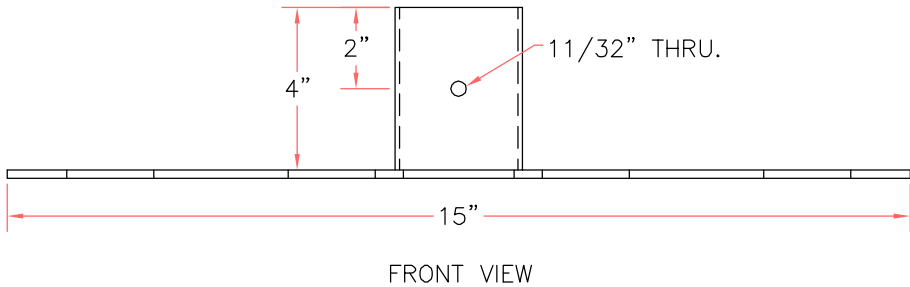
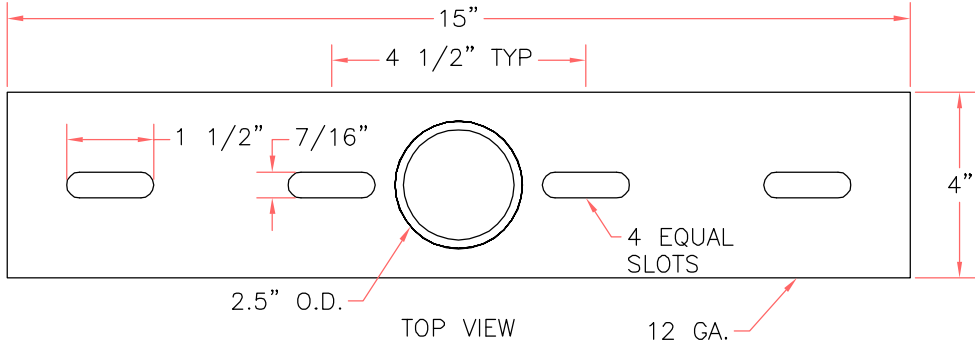


SHUR-TITE DOUBLE MAILBOX ADAPTER



PATENT PENDING

SHUR-TITE®
PRODUCTS

TYPE: DOUBLE MAILBOX ADAPTER

DRAWN BY:	PH	DATE:	07/18/07
CHECKED BY:	DWH	REVISION:	1
		SHEET:	1 OF 1

I:\SHUR-TITE\DOUBLE MAILBOX ADAPTER 7-18-07.dwg, 7/18/07 2:35:24 PM