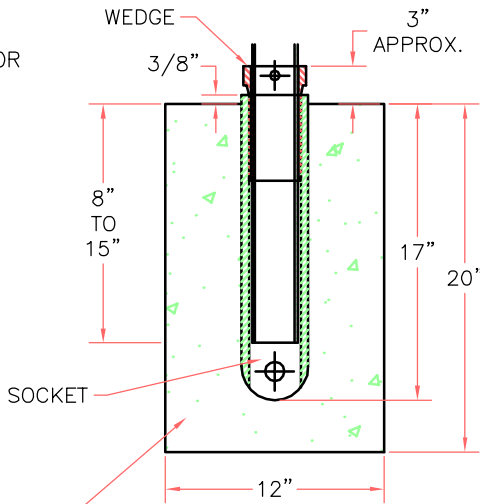
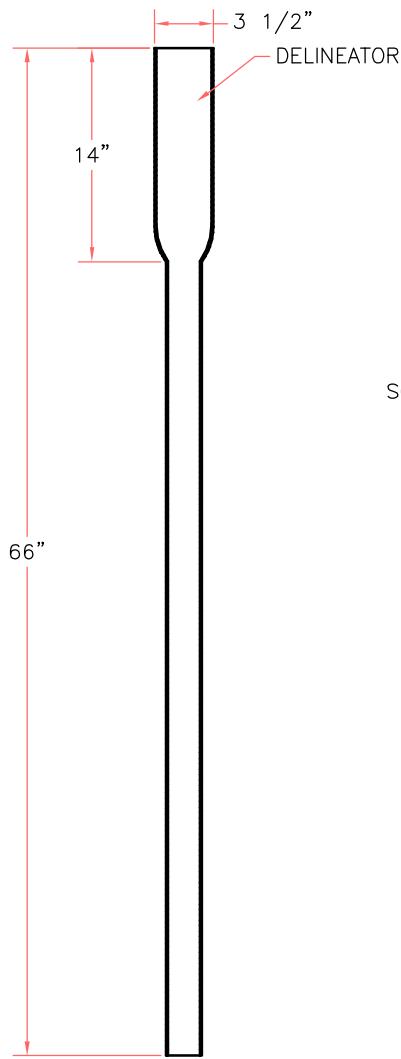
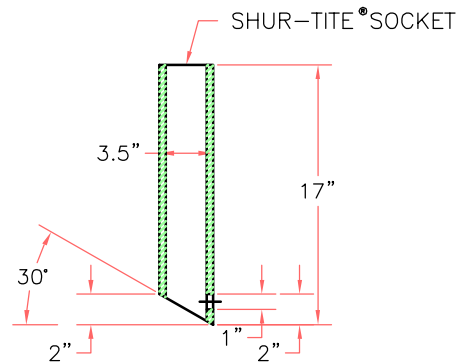


# SHUR-TITE DELINEATOR & SOCKET SYSTEM



NON-REINFORCED CONCRETE FOOTING (SHALL BE USED UNLESS NOTED ELSEWHERE IN THE PLANS). FOUNDATION SHOULD TAKE APPROX. 1.3 CF OF CONCRETE. (APPROX. 20 POSTS CAN BE INSTALLED PER CUBIC YARD OF CONCRETE.)



**SPECIFICATIONS:**

- FLEXIBLE, 66", IMPACT RESISTANT, DELINEATOR POSTS, COMPRISED OF RUBBER COMPOSITE, INCLUDING, 20% BY VOLUME, RECYCLED TIRE RUBBER, WITH A BRIGHT WHITE, PREMIUM U.V. INHIBITED, CO-EXTRUDED HDTP SHELL.
- THE TOP OF TUBULAR POSTS SHALL BE PERMANENTLY CLOSED TO PREVENT MOISTURE OR DEBRIS FROM ENTERING.
- THE SIDE OF THE POST FACING TRAFFIC, UPON WHICH THE DELINEATOR IS TO BE MOUNTED. SHALL HAVE A FLAT SURFACE WITH MINIMUM DIMENSIONS OF 3.25 INCHES IN WIDTH BY 13 INCHES IN LENGTH. THE TEXTURE OF THE PROJECTED SURFACE SHALL BE SMOOTH AND SUITABLE FOR THE ADHERENCE OF REFLECTIVE SHEETING WITHOUT PREPARATION OTHER THAN WIPING WITH A CLEAN CLOTH DAMPENED WITH MINERAL SPIRITS TO REMOVE OIL-TYPE CONTAMINANTS.
- THE OUTSIDE DIAMETER OF THE TUBULAR POST SHALL BE A MAXIMUM OF 2-3/8" INCHES.
- THE WIDTH OF THE POST AT ANY POINT (EXCLUDING THE BASE, IF ANY) SHALL BE A MAXIMUM OF 4.125 INCHES.
- POST TO BE MOUNTED IN SHUR-TITE® UNIVERSAL SOCKET & WEDGE SYSTEM.

SHUR-TITE DELINEATOR AND SOCKET SYSTEM 7-12-07 DWG. 7/17/2007 11:19:47 AM

**SHUR-TITE®  
PRODUCTS**

P. O. BOX 2283  
ROUND ROCK, TEXAS 78680

(512) 218-9500

TYPE:

SHUR-TITE  
DELINEATOR & SOCKET SYSTEM

DRAWN BY:

PH

DATE:

07/02/07

CHECKED BY:

DWH

REVISION:

1

SHEET:

1 OF 1