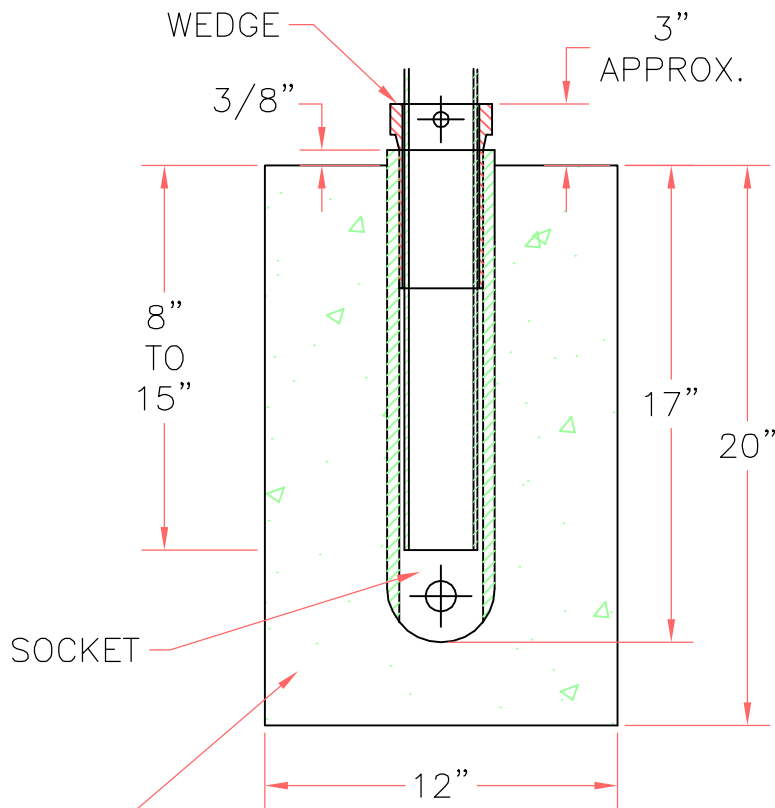
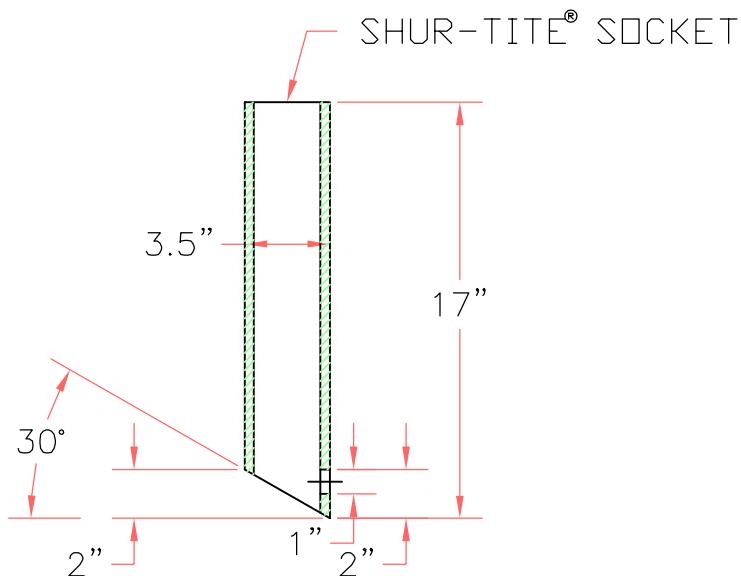


FOUNDATION FOR DELINEATORS AND OBJECT MARKERS



NON-REINFORCED CONCRETE FOOTING (SHALL BE USED UNLESS NOTED ELSEWHERE IN THE PLANS). FOUNDATION SHOULD TAKE APPROX. 1.3 CF OF CONCRETE. (APPROX. 20 DELINEATORS CAN BE INSTALLED PER CUBIC YARD OF CONCRETE.)



SHUR-TITE®
PRODUCTS

TYPE:

WEDGE ANCHOR
PLASTIC SYSTEM

DRAWN BY:

PH

DATE:

07/02/07

CHECKED BY:

DWH

REVISION:

1

SHEET:

1 OF 1